

Lifter-drive assembly

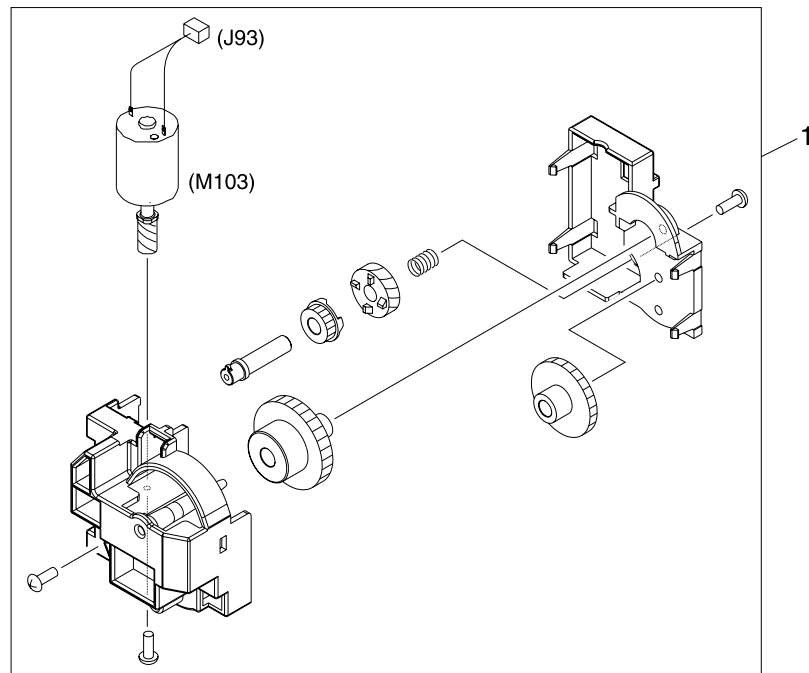


Figure 8-21 Lifter-drive assembly

Table 8-20 Lifter-drive assembly

Reference	Description	Part number	Quantity
1	Lifter-drive assembly	RM1-1029-000CN	1