

## Main drive assembly

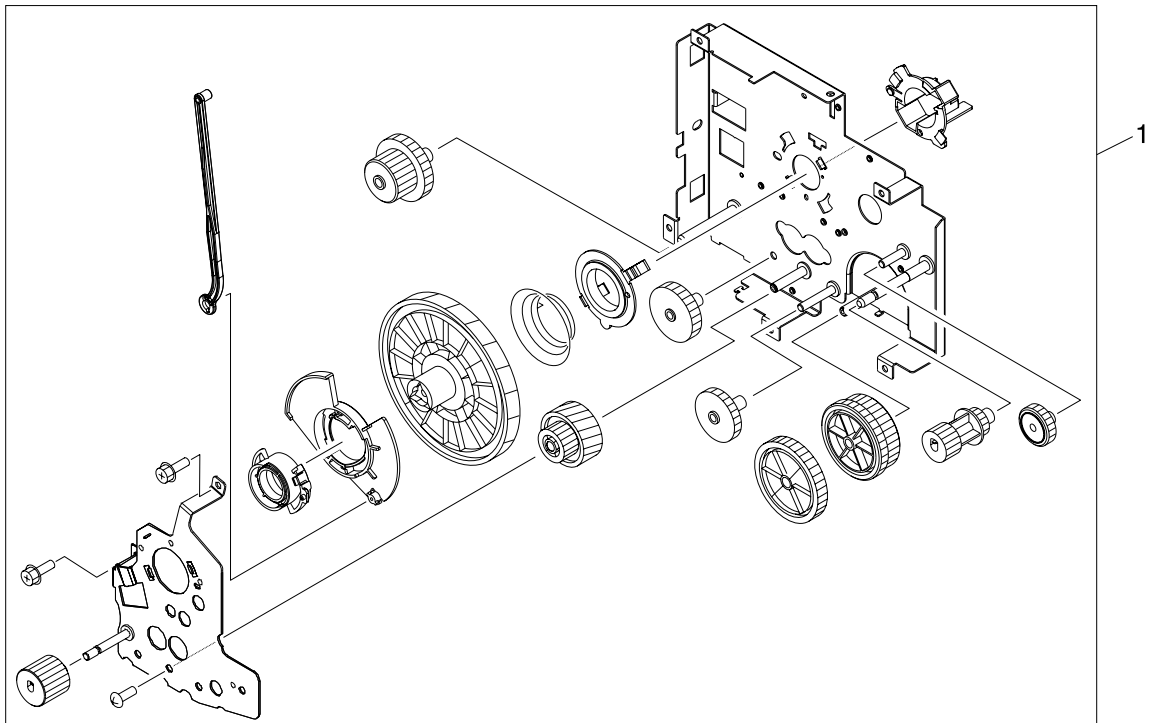


Figure 8-19 Main drive assembly

**Table 8-18** Main drive assembly

Reference	Description	Part number	Quantity
1	Main drive assembly	RM1-1049-000CN	1