

Multipurpose assembly

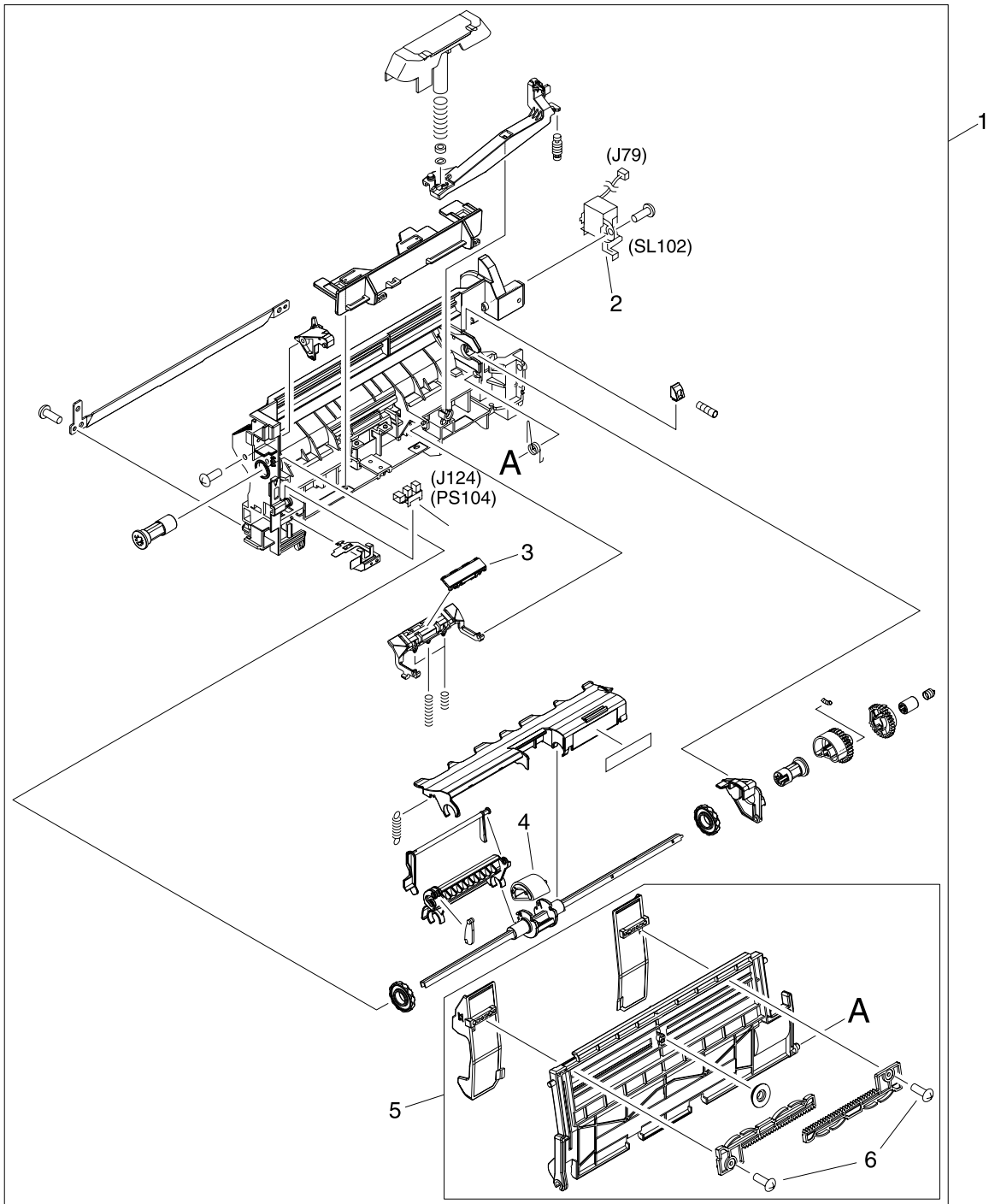


Figure 8-25 Multipurpose assembly

Table 8-24 Multipurpose assembly

Reference	Description	Part number	Quantity
1	Multipurpose assembly	RM1-1572-000CN	1
2	Solenoid, multipurpose assembly (SL102)	RK2-0276-000CN	1
3	Plate, main pad support (multipurpose assembly)	RL1-0007-000CN	1
4	Roller, pickup, multipurpose assembly	RL1-0019-000CN	1
5	Multipurpose tray assembly	RM1-0005-020CN	1
6	Screw, tapping, truss-head, M3x8	XB4-7300-809CN	