

Reverse-separation-guide assembly

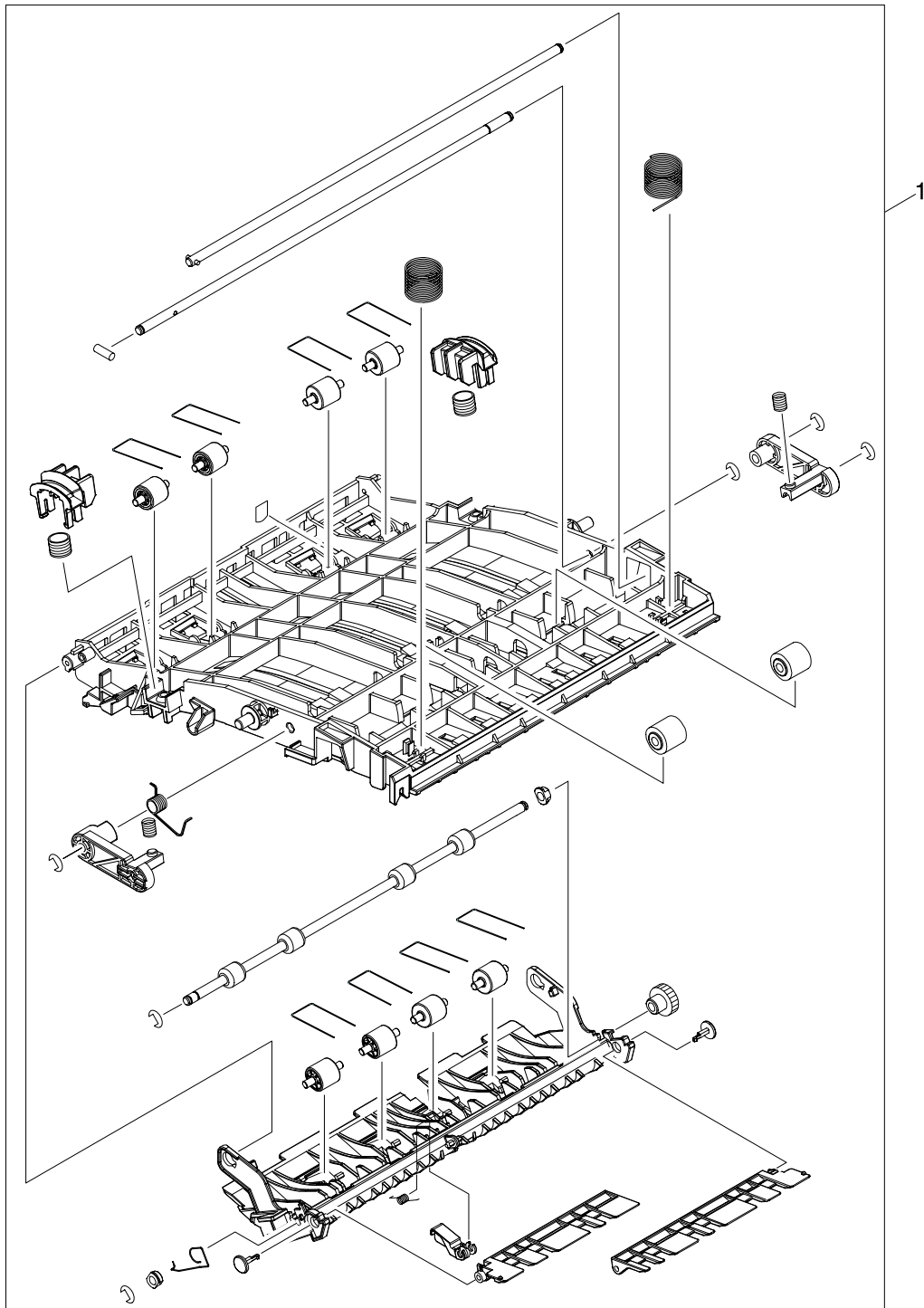


Figure 8-27 Reverse-separation-guide assembly

Table 8-26 Reverse-separation-guide assembly

Reference	Description	Part number	Quantity
1	Reverse-separation-guide assembly	RM1-1019-000CN	1