

Print-engine internal components

Upper-plate assembly

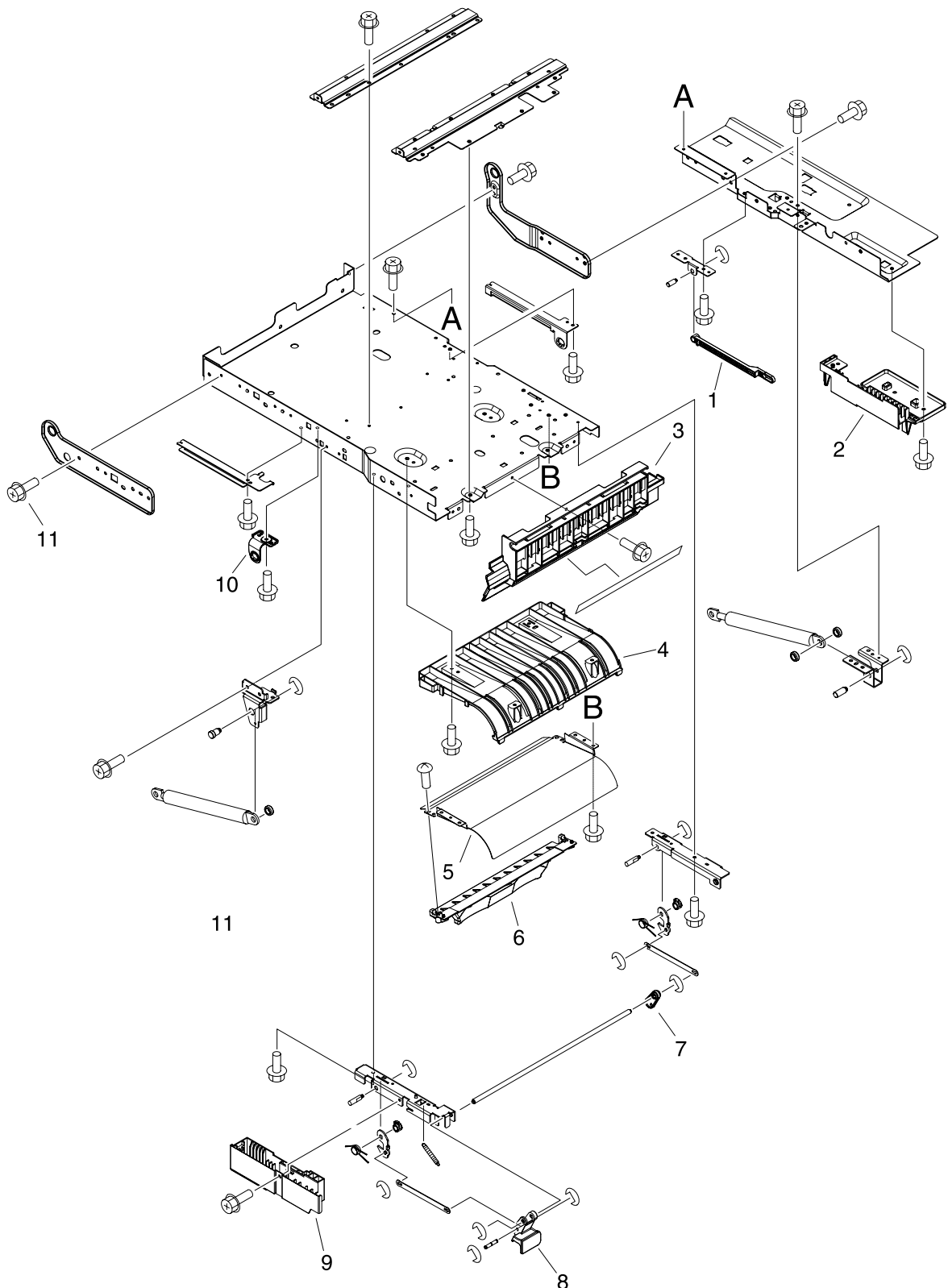


Figure 8-12 Upper-plate assembly

Table 8-11 Upper-plate assembly

Reference	Description	Part number	Quantity
1	Rod, link (upper plate)	RC1-2830-000CN	1
2	Cover, rear lock (upper plate)	RC1-2821-000CN	1
3	Holder, right shutter (upper plate)	RC1-2855-000CN	1
4	Guide, legal-size (upper plate)	RC1-2854-000CN	1
5	Guide, cartridge (upper plate)	RC1-2853-000CN	1
6	Support, cartridge (upper plate)	RC1-2856-000CN	1
7	Link, handle (upper plate)	RC1-2822-000CN	1
8	Handle, lock (upper plate)	RC1-2818-000CN	1
9	Cover, lock, front (upper plate)	RC1-2820-000CN	1
10	Block, guide support (upper plate)	RC1-3102-000CN	1
11	Screw, RS, M3x6	XA9-1495-000CN	