

# Registration assembly

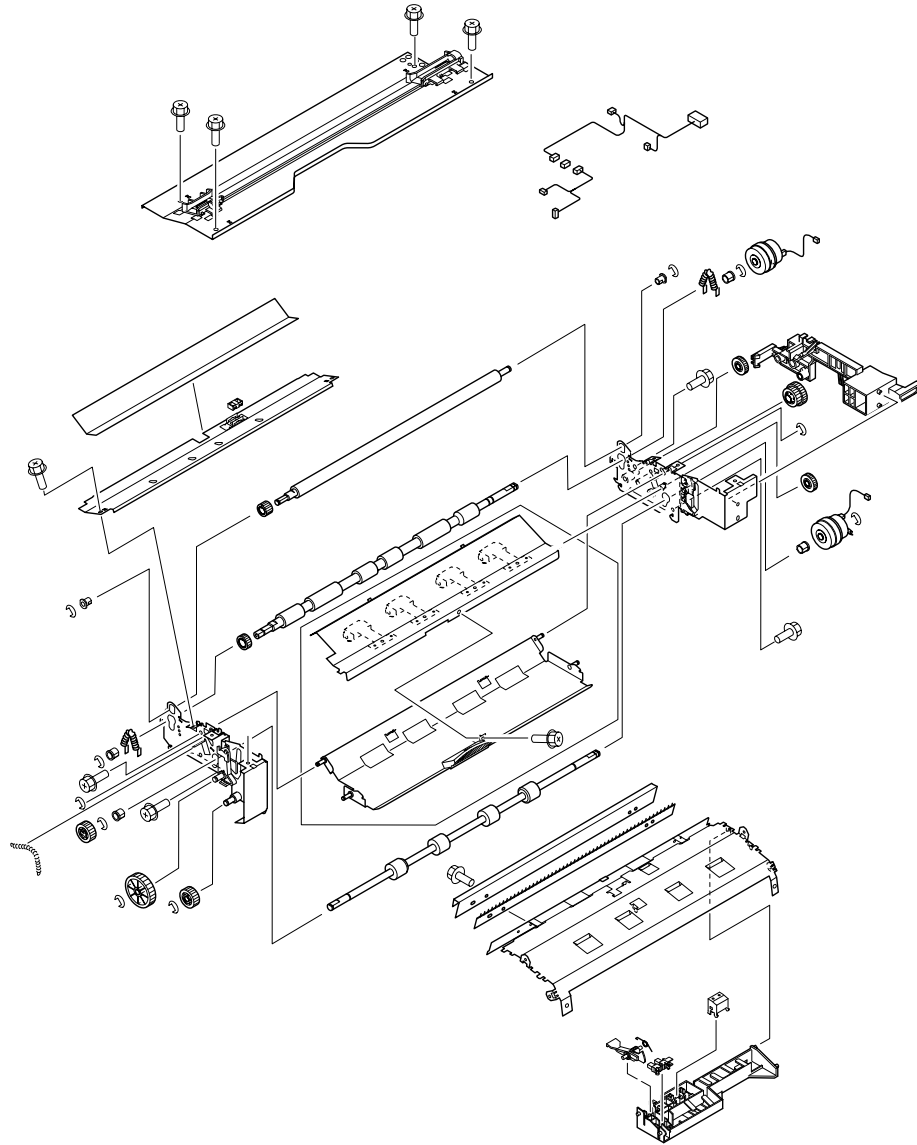


Figure 146. Registration assembly

Table 45. Registration assembly

| Ref | Description           | 9000 part number | 9040/9050 part number (if different) | Qty |
|-----|-----------------------|------------------|--------------------------------------|-----|
|     | Registration assembly | RG5-5663-000CN   |                                      | 1   |