

Fuser delivery drive assembly

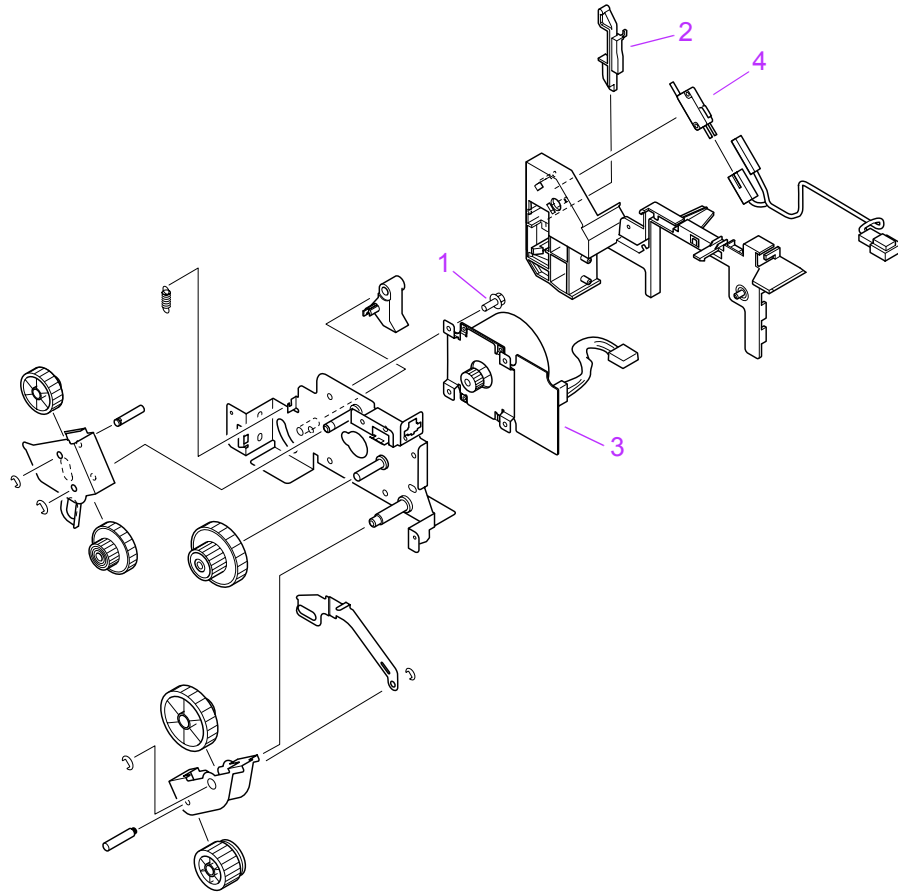


Figure 142. Fuser delivery drive assembly

Table 41. Fuser delivery drive assembly

| Ref | Description | 9000 part number | 9040/9050 part number (if different) | Qty |
|-----|-------------------------------|------------------|--------------------------------------|-----|
| | Fuser delivery drive assembly | RG5-5659-000CN | RG5-7789-000CN | 1 |
| 1 | Screw, M3 by 6, RS | XA9-1275-000CN | | |
| 2 | Lever, switch | RB2-6077-000CN | | 1 |
| 3 | Motor, DC, 24V (M1) | RG5-5288-000CN | RH7-1622-000CN | 1 |
| 4 | Microswitch (SW1) | WC4-5171-000CN | | 1 |