

Tray 4 drive assembly

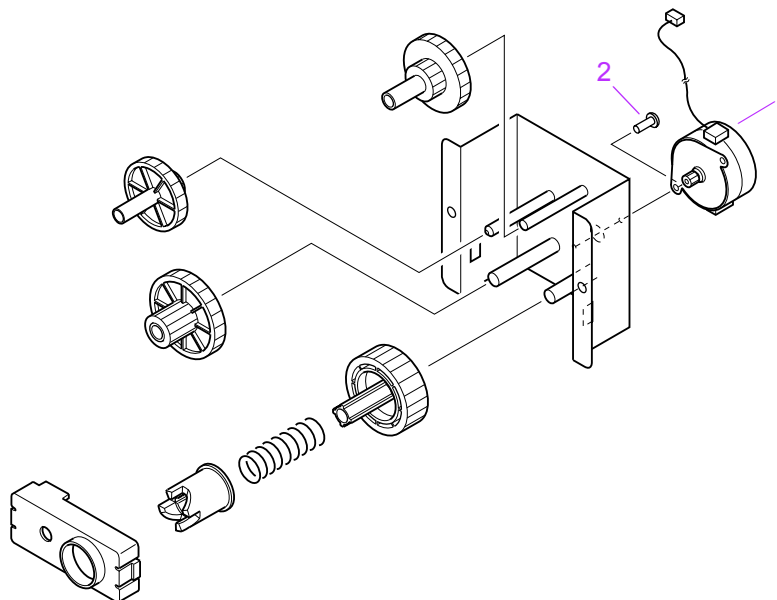


Figure 152. Tray 4 drive assembly

Table 51. Tray 4 drive assembly

Ref	Description	9000 part number	9040/9050 part number (if different)	Qty
	Tray 4 deck drive assembly	RG5-6228-040CN		1
1	Motor	RH7-1481-000CN		1
2	Screw, M3 by 6 with washer	XB2-6300-607CN		2