

## PCA assembly location

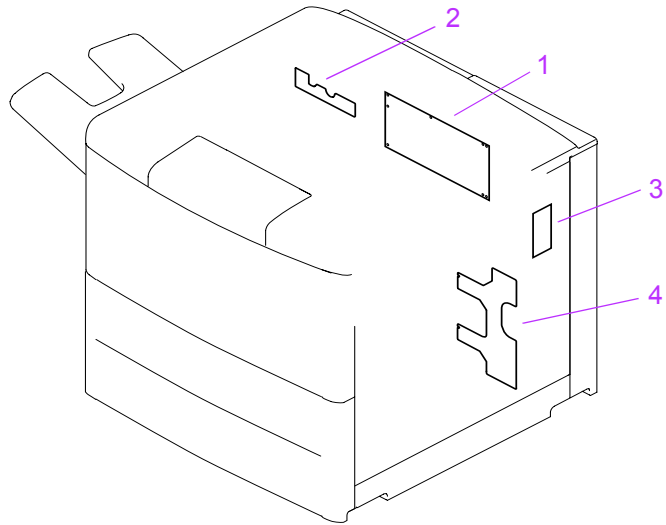


Figure 149. PCA assembly location

Table 48. PCA location

Ref	Description	9000 part number	9040/9050 part number (if different)	Qty
1	DC controller PCA	RG5-5778-120CN	RG5-7780-000CN	1
2	Delivery PCA	RG5-5649-000CN		1
3	Print cartridge memory controller PCA	RG5-6996-000CN		1
4	Paper pickup (PIU) PCA	RG5-5678-000CN		1