

# Tray 4

## Tray 4 main body

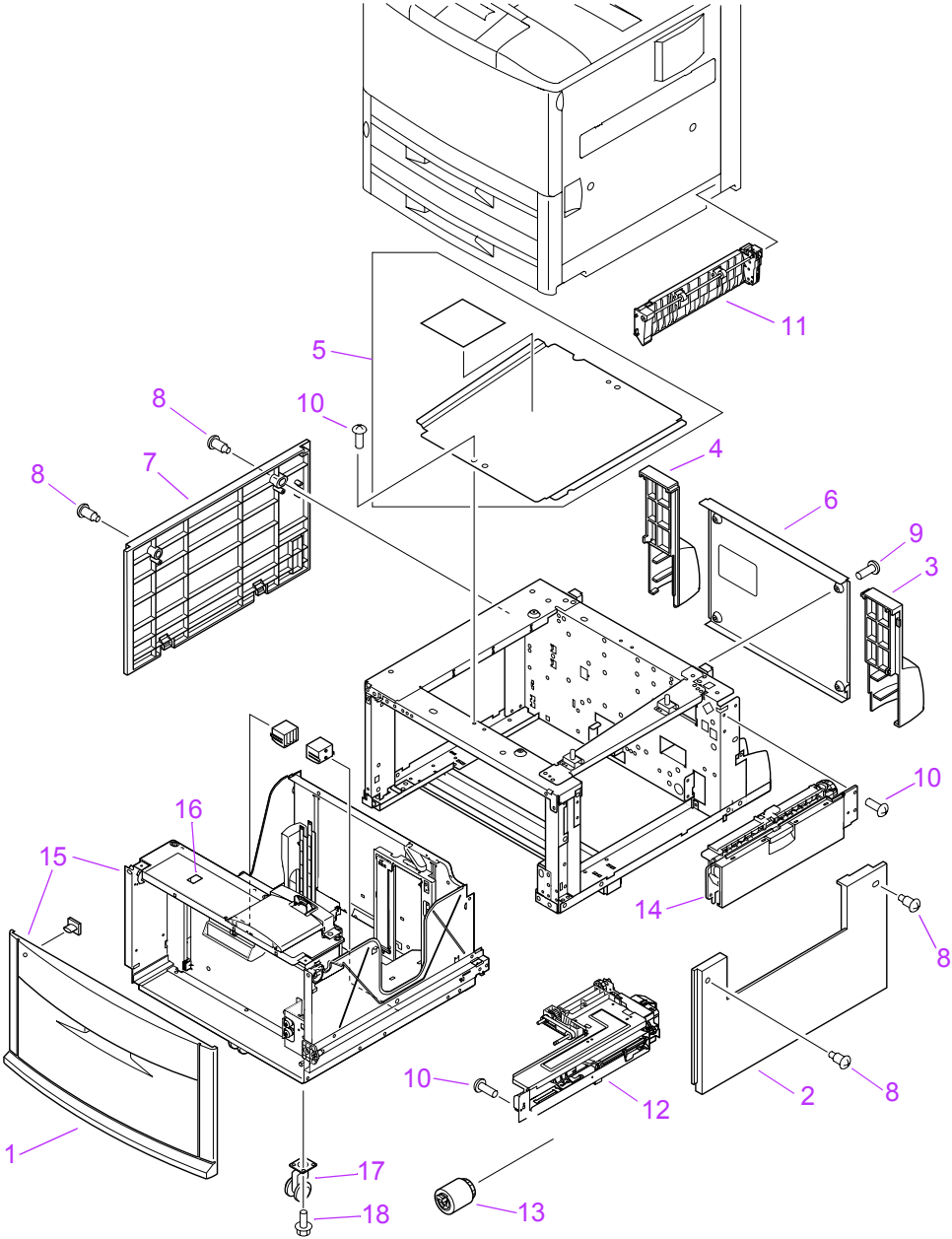


Figure 150. Tray 4 main body (1 of 2)

**Table 49. Tray 4 main body (1 of 2)**

| <b>Ref</b> | <b>Description</b>                              | <b>9000 part number</b> | <b>9040/9050 part number (if different)</b> | <b>Qty</b> |
|------------|---|-------------------------|---|------------|
| 1          | Cover, front                                    | RB2-7648-040CN          |   | 1          |
| 2          | Cover, right                                    | RB2-7649-000CN          |   | 1          |
| 3          | Cover, right back                               | RB2-7650-000CN          |   | 1          |
| 4          | Cover, left back                                | RB2-7651-000CN          |   | 1          |
| 5          | Cover, center                                   | RB2-7652-000CN          |   | 1          |
| 6          | Cover, back                                     | RF5-3644-000CN          |   | 1          |
| 7          | Cover, left                                     | RF5-3645-000CN          |   | 1          |
| 8          | Screw, stepped                                  | RS5-9099-000CN          |   | 6          |
| 9          | Screw, W/W, M4 by 6                             | XA9-0994-000CN          |   | 7          |
| 10         | Screw, M4 by 6                                  | XB6-7400-000CN          |   |            |
| 11         | Paper path connection unit (PPCU)               | RG5-6227-000CN          |   | 1          |
| 12         | Paper input unit (PIU)                          | RG5-6208-150CN          |   | 1          |
| 13         | Feed/separation rollers                         | RF5-3338-000CN          |   | 3          |
| 14         | Tray 4 vertical registration assembly (VTU/VRA) | RG5-6225-050CN          |   | 1          |
| 15         | Tray 4  | RG5-6212-300CN          |   | 1          |
| 16         | Lever, standard/custom                          | RB2-7762-020CN          |   | 1          |
| 17         | Caster  | RB2-7709-000CN          |   | 2          |
| 18         | Screw, M4 by 8                                  | XA9-0732-000CN          |   | 7          |
| Not shown  | Tray 4-to-engine stabilizing screws             | 0515-4318               |   | 2          |