

Input devices

500-sheet input tray (Tray 3 and Tray 4)

Figure 2-16 500-sheet input tray (Tray 3 and Tray 4)

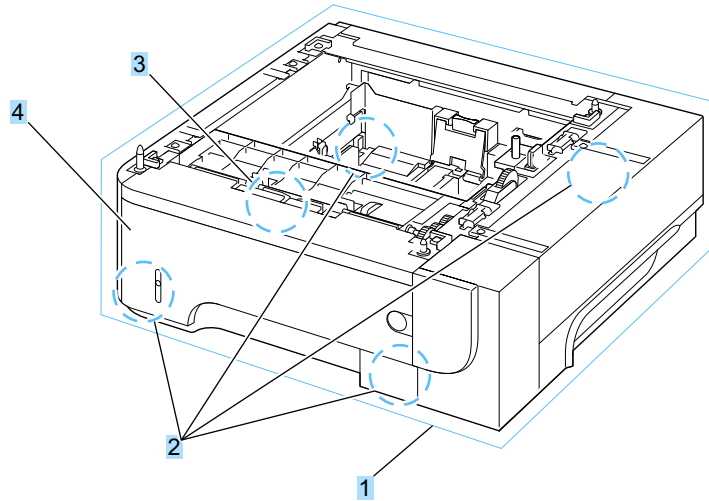


Table 2-20 500-sheet input tray (Tray 3 and Tray 4)

Ref	Description	Part number	Qty
1	Optional 500-sheet tray and feeder unit	CE530-69001	1
2	Base plate roller assembly (CSR A)	RM1-6306-000CN	4
3	Separation holder assembly	RM1-6303-000CN	1
4	Cassette,Tray 3/4 (CSR A)	RM1-6279-000CN	1