

ADF assemblies

Figure 2-6 ADF assemblies

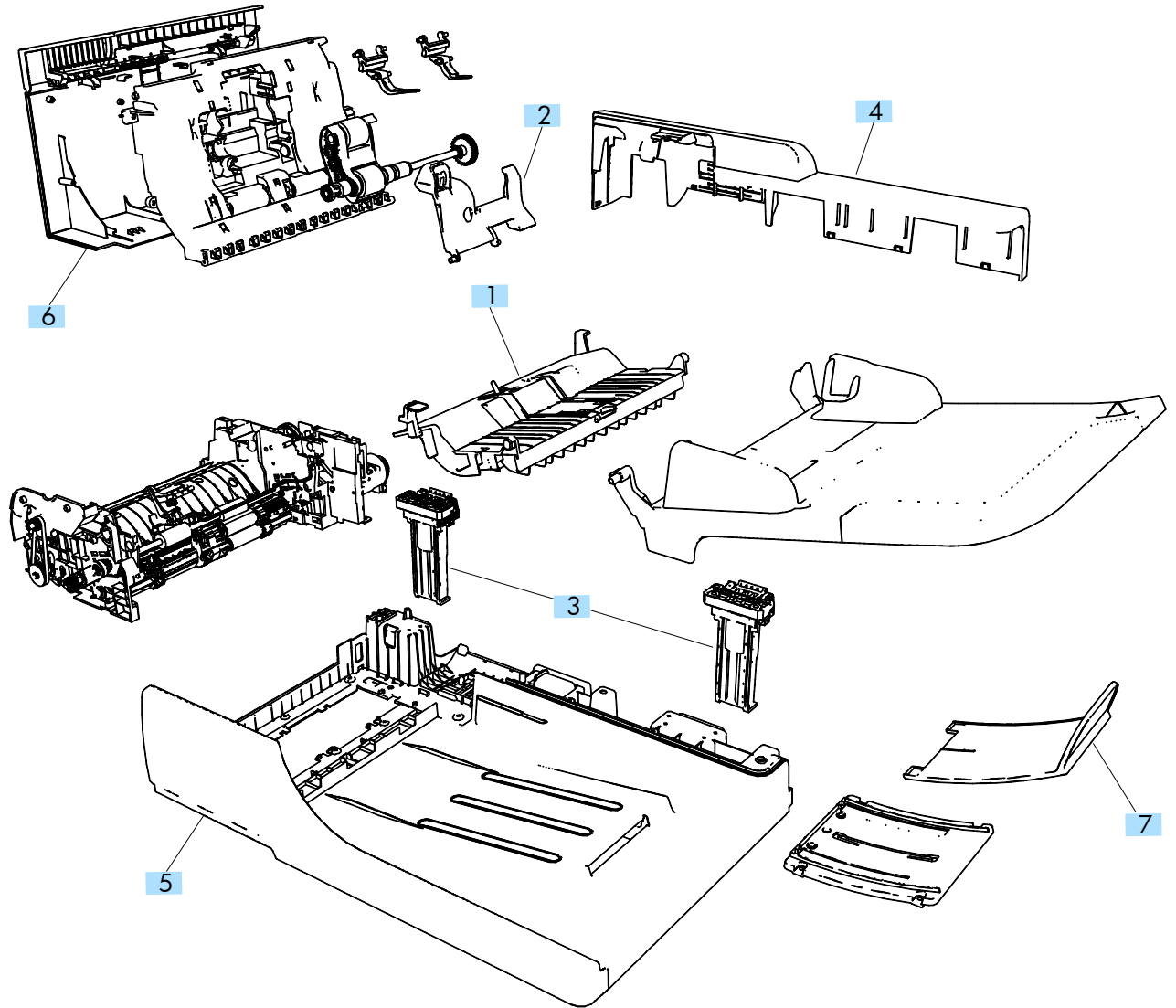


Table 2-10 ADF assemblies

Ref	Description	Part number	Qty
1	ADF separation pad spring	5851-4879	1
2	ADF cover, bogie	CC355-40013	1
3	ADF hinge assembly	Q7404-60024	2
4	Cover, ADF rear (cover rear)	Q7404-40007	1
5	Cover, ADF front (cover front)	Q7404-40030	1
6	Cover, hatch	Q7404-40006	1
7	ADF tray extender (paper stopper)	Q7404-40020	1
Not shown	Assy-harness (ADF cable) (see ADF cable on page 83)	Q7404-50007	1
Not shown	Mylar kit	5851-4998	1