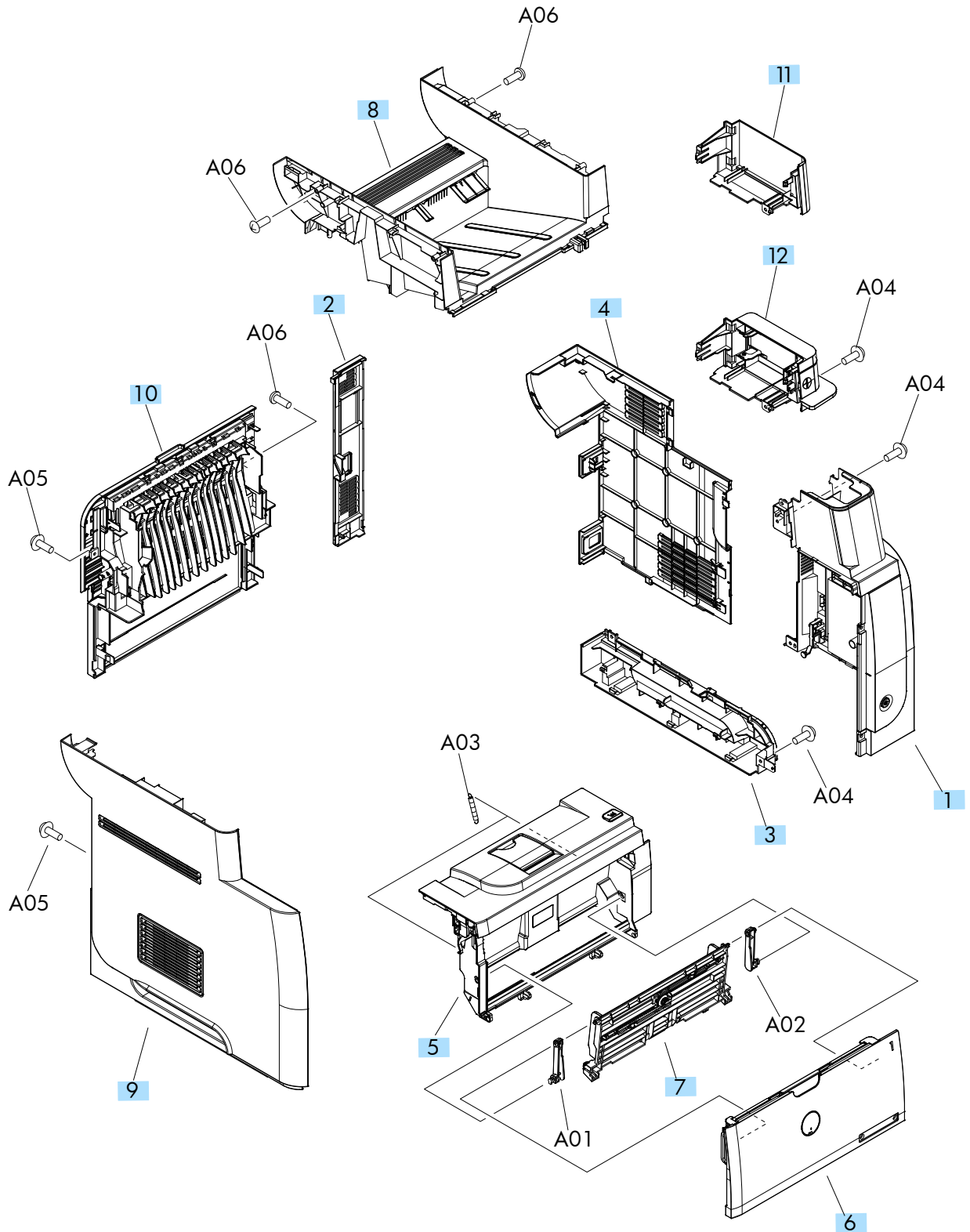


# Covers

Figure 2-3 Covers



**Table 2-7 Covers**

| <b>Ref</b> | <b>Description</b>                  | <b>Part number</b> | <b>Qty</b> |
|------------|-------------------------------------|--------------------|------------|
| 1          | Cover, right assembly               | RM1-8498-000CN     | 1          |
| 2          | Cover, right rear                   | RC2-7673-000CN     | 1          |
| 3          | Cover, handle, right                | RC2-7675-000CN     | 1          |
| 4          | Cover, formatter                    | RC3-1863-000CN     | 1          |
| 5          | Door, cartridge assembly            | RM1-8502-000CN     | 1          |
| 6          | Cover, multipurpose assembly        | CF116-67917        | 1          |
| 7          | Multipurpose lifting plate assembly | RM1-6325-000CN     | 1          |
| 8          | Cover, top assembly                 | RM1-8516-000CN     | 1          |
| 9          | Cover, left assembly                | RM1-8517-000CN     | 1          |
| 10         | Cover, rear assembly                | RM1-8518-000CN     | 1          |
| 11         | Cover, dummy                        | RC3-1920-000CN     | 1          |
| 12         | Cover, staple assembly              | RM1-8520-000CN     | 1          |