

Internal assemblies (1 of 6)

Figure 2-8 Internal assemblies (1 of 6)

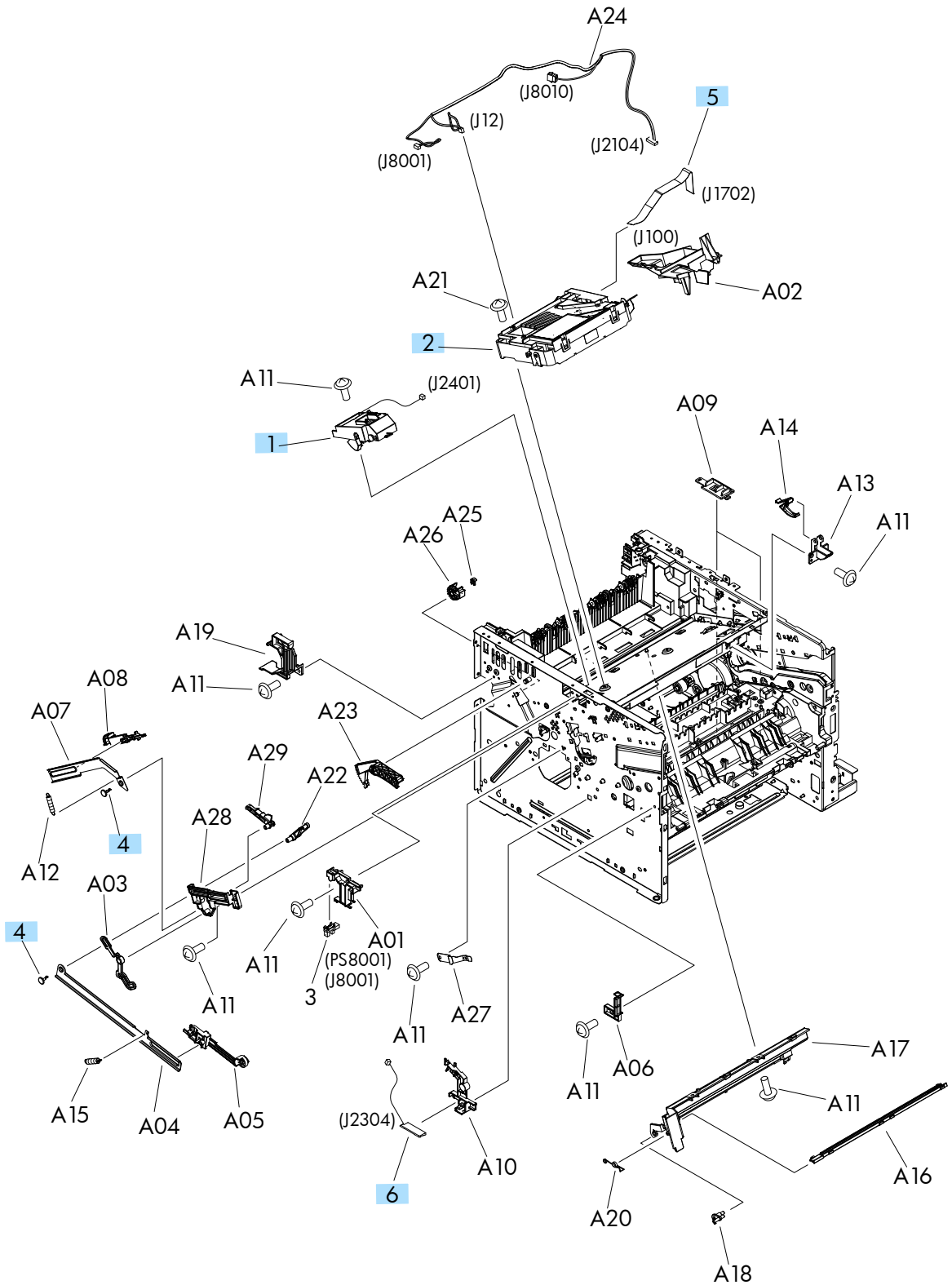


Table 2-12 Internal assemblies (1 of 6)

Ref	Description	Part number	Qty
1	Tag holder assembly	RM1-8521-000CN	1
2	Laser/scanner	RM1-6322-000CN	1
4	Stopper, bushing arm	RC2-7928-000CN	2
5	Cable, flat	RK2-4218-000CN	1
6	Sensor, environmental PCA	RM1-8622-000CN	1