

Internal assemblies (4 of 6)

Figure 2-11 Internal assemblies (4 of 6)

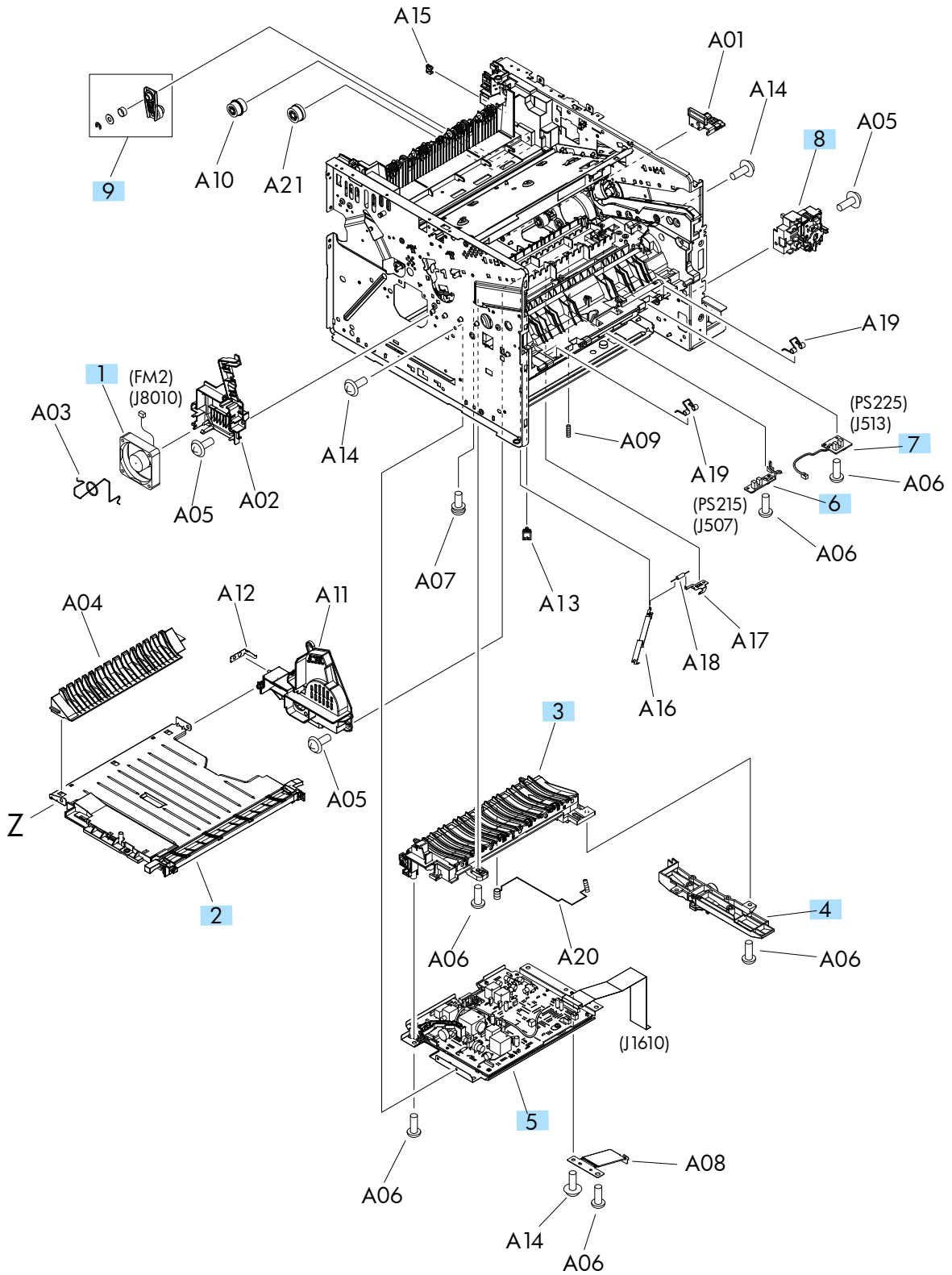


Table 2-15 Internal assemblies (4 of 6)

Ref	Description	Part number	Qty
1	Fan, sub	RK2-1499-000CN	1
2	Lower paper feed guide	RM1-6263-000CN	1
3	Paper-feed guide assembly	RM1-6270-000CN	1
4	Position-guide assembly	RM1-6273-000CN	1
5	High-voltage power supply PCA	RM1-8519-000CN	1
6	Top sensor PCA	RM1-8617-000CN	1
7	Paper width sensor PCA	RM1-8618-000CN	1
8	Switch assembly	RM1-8515-000CN	1
9	Pendulum service kit	RM1-6598-000CN	1