

Paper feeder PCA

Figure 2-24 Paper feeder PCA

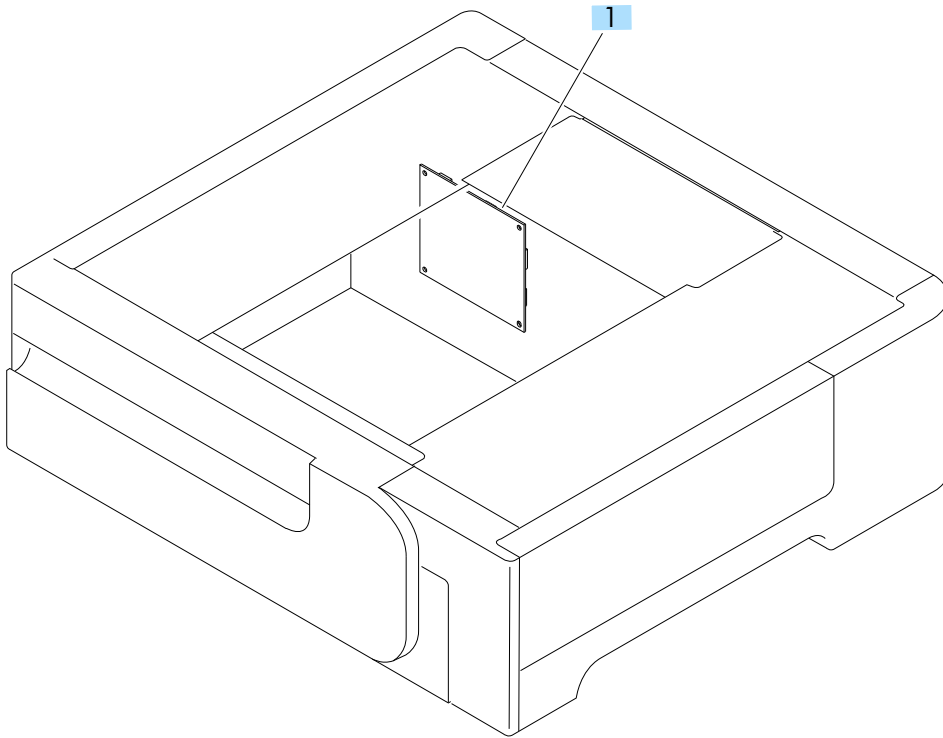


Table 2-26 Paper feeder PCA

Ref	Description	Part number	Qty
1	PCA, paper feeder driver (1 x 500)	RM1-5839-000CN	1