

Document feeder and scanner assemblies (M575c model)

Figure 2-5 Document feeder and scanner assemblies (575c models)

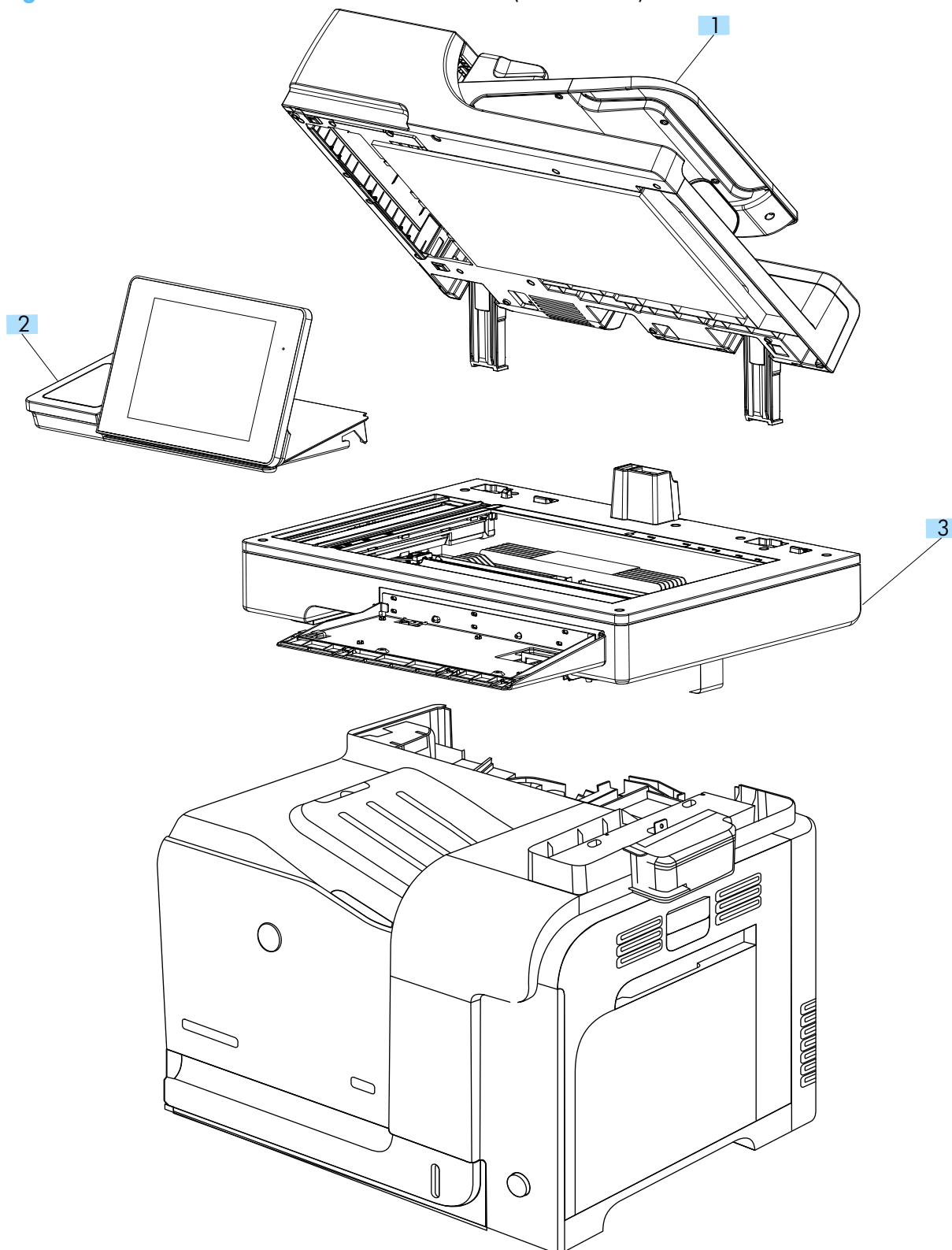


Table 2-7 Document feeder and scanner assemblies (575c models)

Ref	Description	Part number	Qty
1	Document feeder whole unit, M575c	CD644-67921	1
2	Control panel, M575c	CD644-67920	1
Not shown	FFC, control-panel keyboard, M575c	CD644-60113	1
3	Scanner whole unit, M575c	CD646-67901	1
Not Shown	PCA, scanner control board, M575c	CD646-67902	1
Not Shown	e-Duplex assembly, document feeder, M575c	5851-5022	1