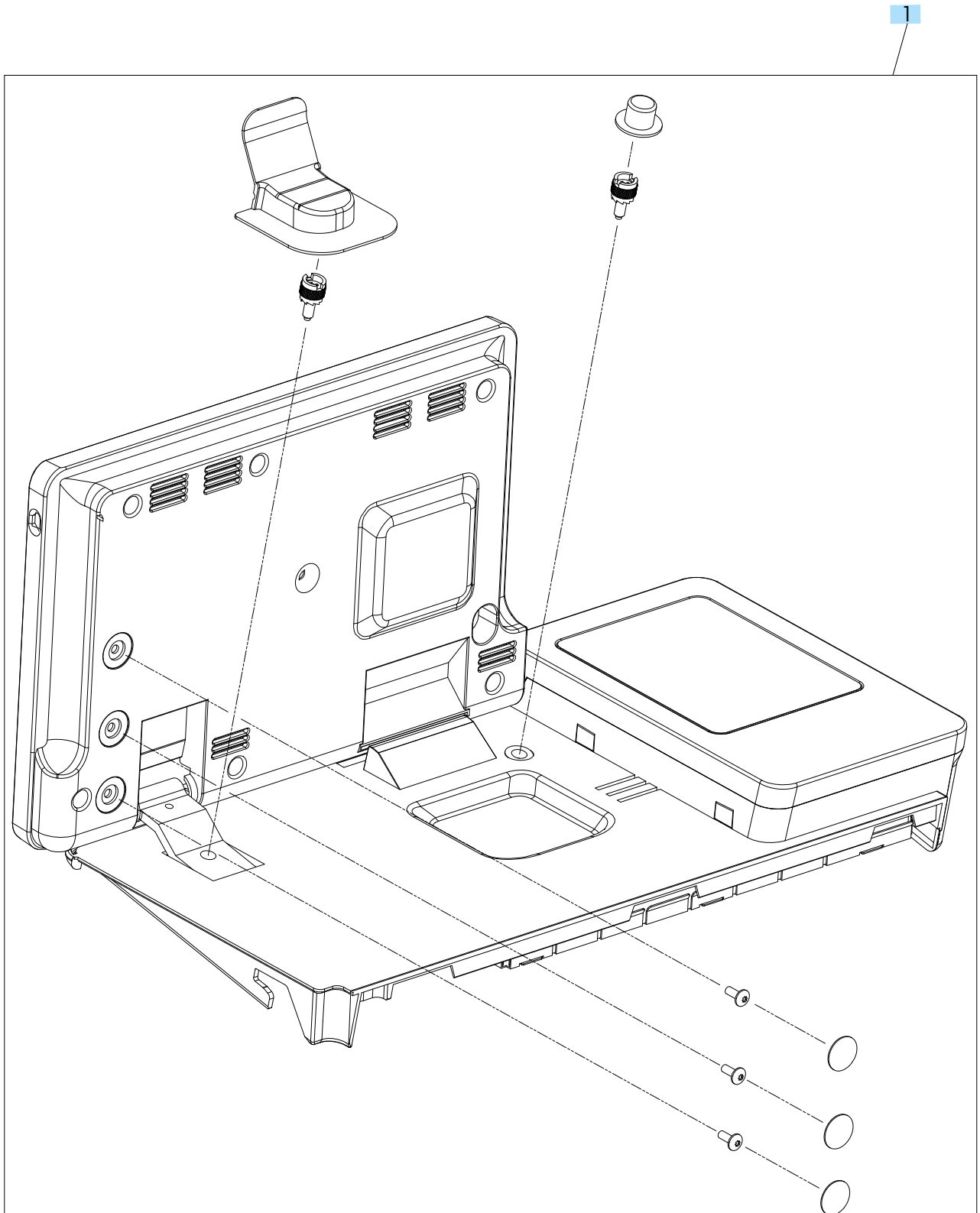


# Control panel assembly

Figure 2-7 Control panel assembly



**Table 2-9 Control panel assembly**

<b>Ref</b>	<b>Description</b>	<b>Part number</b>	<b>Qty</b>
1	Control panel assembly kit, 575dn and 575f	CD644-67916	1
1	Control panel assembly kit, 575c	CD644-67920	1
Not shown	Control-panel FFC, 575c	CD644-60113	1