

Internal assemblies

Internal assemblies (1 of 6)

Figure 2-11 Internal assemblies (1 of 6)

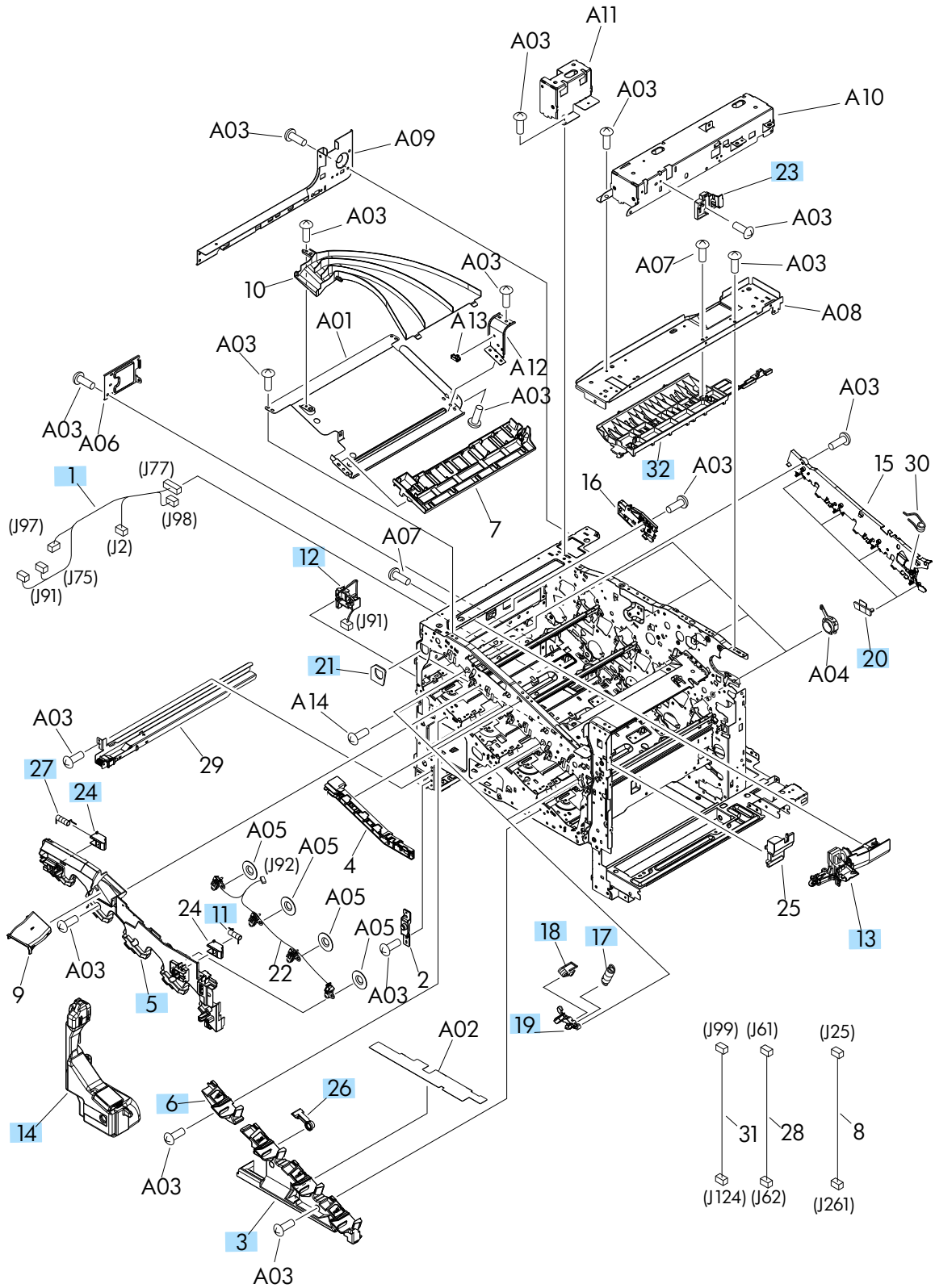


Table 2-13 Internal assemblies (1 of 6)

| Ref | Description | Part number | Qty |
|------------|---------------------------------|--------------------|------------|
| 1 | Left cable assembly | RM1-5742-000CN | 1 |
| 3 | Cover, front inner lower unit | RL1-1914-020CN | 1 |
| 5 | Cover, front inner upper | RC3-1070-000CN | 1 |
| 6 | Cover, front inner lower | RL1-1915-000CN | 1 |
| 11 | Spring, compression | RU6-2567-000CN | 1 |
| 12 | Waste toner detect assembly | RM1-5696-000CN | 1 |
| 13 | Waste toner duct assembly | RM1-8138-000CN | 1 |
| 14 | Toner collection unit (TCU) | RM1-4989-000CN | 1 |
| 17 | Spring, tension | RU7-2192-000CN | 4 |
| 18 | Spring, ground | RU6-2237-000CN | 4 |
| 19 | Lever, cartridge pressure front | RC2-3983-030CN | 4 |
| 20 | Guide, light | RC2-4426-000CN | 4 |
| 21 | Waste toner box seal | RC2-4780-000CN | 4 |
| 23 | Cover, stapler switch | RC3-2116-000CN | 4 |
| 24 | Lock, door | RC2-5937-000CN | 2 |
| 26 | Lever, box presence detect | RC2-5951-000CN | 1 |
| 27 | Spring, compression | RU6-2568-000CN | 1 |
| 32 | Guide, door latch right | RC2-4914-000CN | 1 |