

Internal assemblies (2 of 6)

Figure 2-12 Internal assemblies (2 of 6)

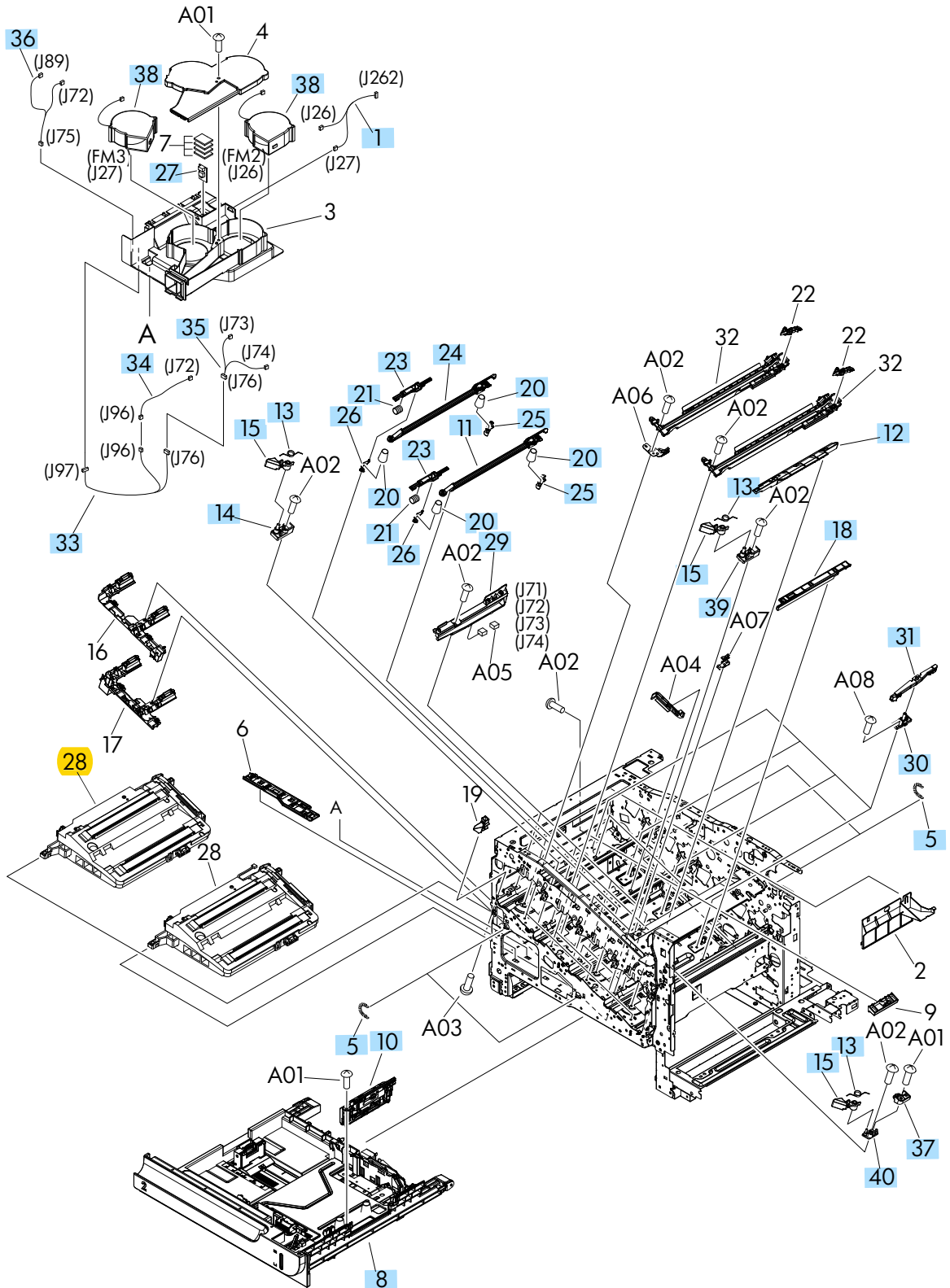


Table 2-14 Internal assemblies (2 of 6)

Ref	Description	Part number	Qty
1	Fan cable assembly	RM1-5746-000CN	1
5	Spring, tension	RU6-2436-000CN	4
8	Tray 2	RM1-4962-060CN	1
10	Separation roller assy (part of roller kit)	RM1-4966-020CN	1
11	Shutter assembly	RM1-4999-000CN	2
12	Cover	RC2-5912-000CN	1
13	Spring, torsion	RC2-5958-000CN	4
14	Holder, cartridge lock lever	RC2-5955-000CN	1
15	Lever, cartridge lock lever	RC2-5954-000CN	4
18	Cover	RC2-5962-000CN	1
20	Spring, compression	RU6-2318-000CN	8
21	Spring, compression	RU6-2316-000CN	4
23	Lever, shutter	RC2-4415-000CN	4
24	Shutter assembly	RM1-5488-000CN	2
25	Arm, shutter rear	RC2-4407-030CN	4
26	Arm, shutter front	RC2-4406-000CN	4
27	Temperature sensor unit	RK2-3267-000CN	1
29	Toner sensor holder assembly	RM1-5700-000CN	4
30	Stand assembly	RM1-5588-000CN	4
31	Base assembly	RM1-8149-000CN	4
33	Connecting cable assembly	RM1-5749-000CN	1
34	Sensor cable assembly	RM1-5740-000CN	1
35	Sensor cable assembly	RM1-5741-000CN	1
36	Motor/sensor cable assembly	RM1-5752-000CN	1
37	Cartridge lock lever holder	RC2-5957-000CN	1
38	Fan (FM2, FM3)	RK2-2418-000CN	2
39	Cartridge lock lever holder	RC3-1075-000CN	2
40	Cartridge lock lever holder	RC2-5956-000CN	2