

Internal assemblies (3 of 6)

Figure 2-13 Internal assemblies (3 of 6)

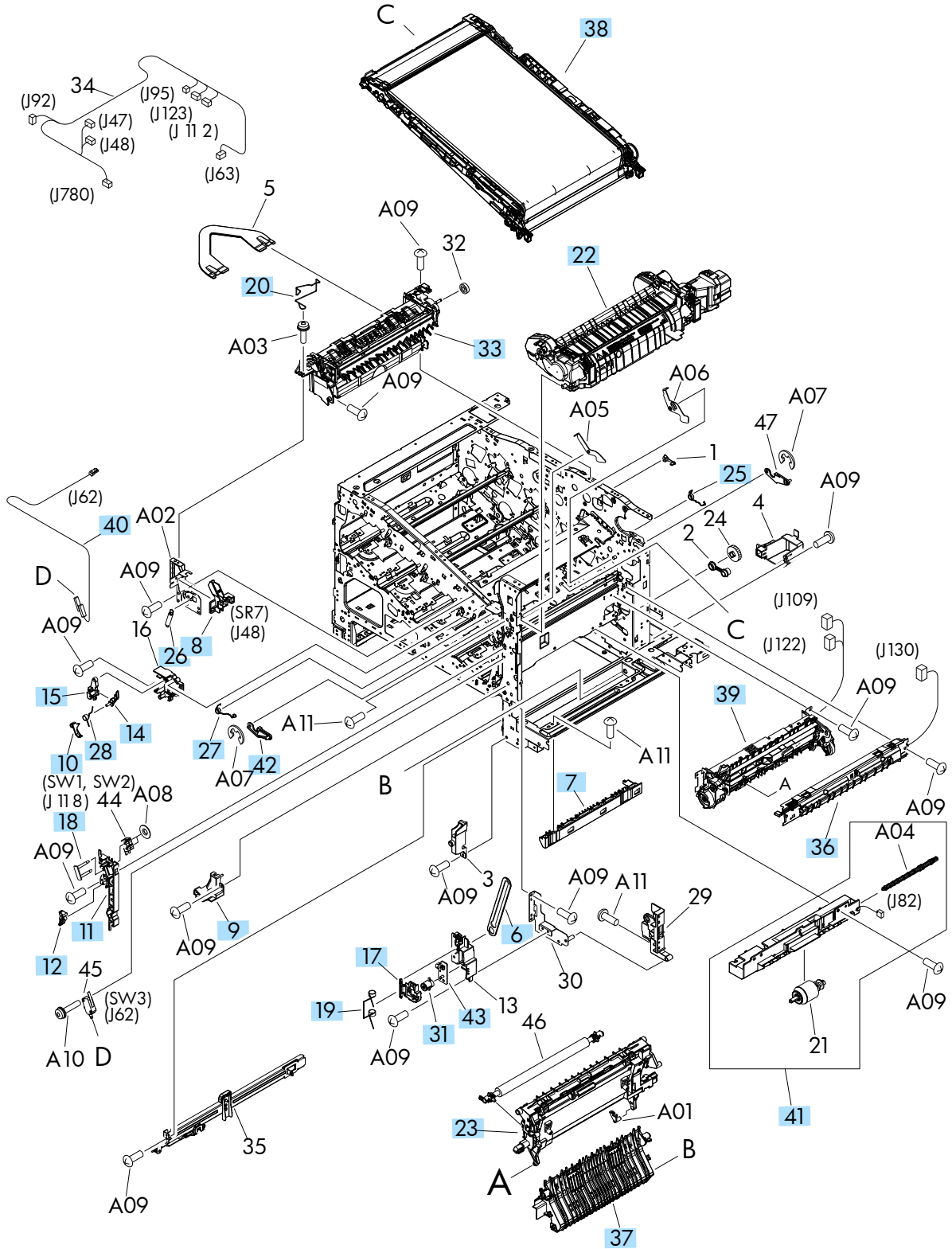


Table 2-15 Internal assemblies (3 of 6)

| Ref | Description | Part number | Qty |
|------------|-----------------------------------|--------------------|------------|
| 6 | Link, door stopper | RC2-4916-000CN | 1 |
| 7 | Guide, option entrance | RC2-4915-000CN | 1 |
| 8 | Sensor cable guide assembly (SR7) | RM1-8178-000CN | 1 |
| 9 | Cover, inner right lower | RC2-5019-000CN | 1 |
| 10 | Link, interlock (SW1) | RC2-5120-000CN | 1 |
| 11 | Mount, interlock switch | RC2-5123-000CN | 1 |
| 12 | Arm, interlock link switch | RC2-5121-000CN | 1 |
| 14 | Link, interlock | RC2-5119-000CN | 1 |
| 15 | Link, interlock | RC2-5118-000CN | 1 |
| 17 | Lever, switch | RC3-1208-000CN | 1 |
| 18 | Shaft | RC2-5913-000CN | 1 |
| 19 | Spring | RC3-1212-000CN | 1 |
| 20 | Wire (mech) sensor project | RC2-4828-000CN | 1 |
| 22 | Fuser 110v | CD644-67906 | 1 |
| 22 | Fuser 220v | CD644-67907 | 1 |
| 23 | Secondary transfer assembly | RM1-4952-030CN | 1 |
| 25 | Spring, torsion | RC2-4378-000CN | 1 |
| 26 | Spring, torsion | RU6-2268-000CN | 1 |
| 27 | Spring, torsion | RC2-4377-000CN | 1 |
| 28 | Spring, torsion | RC2-5122-000CN | 1 |
| 31 | Button, power supply | RL1-1947-000CN | 1 |
| 33 | Paper delivery assembly | RM1-4970-060CN | 1 |
| 36 | Density detect assembly | RM1-8163-000CN | 1 |
| 37 | Pick up lower guide assembly | RM1-9192-000CN | 1 |
| 38 | ITB kit | CD644-67908 | 1 |
| 39 | Registration assembly | RM1-4969-000CN | 1 |
| 40 | Switch cable assembly | RM1-8065-000CN | 1 |
| 41 | Paper pick up assembly | RM1-4967-000CN | 1 |
| 42 | Front lock arm assembly | RM1-5532-000CN | 1 |
| 43 | Switch PCA assembly | RM1-8097-000CN | 1 |