

Scanner assemblies

Figure 2-9 Scanner assemblies

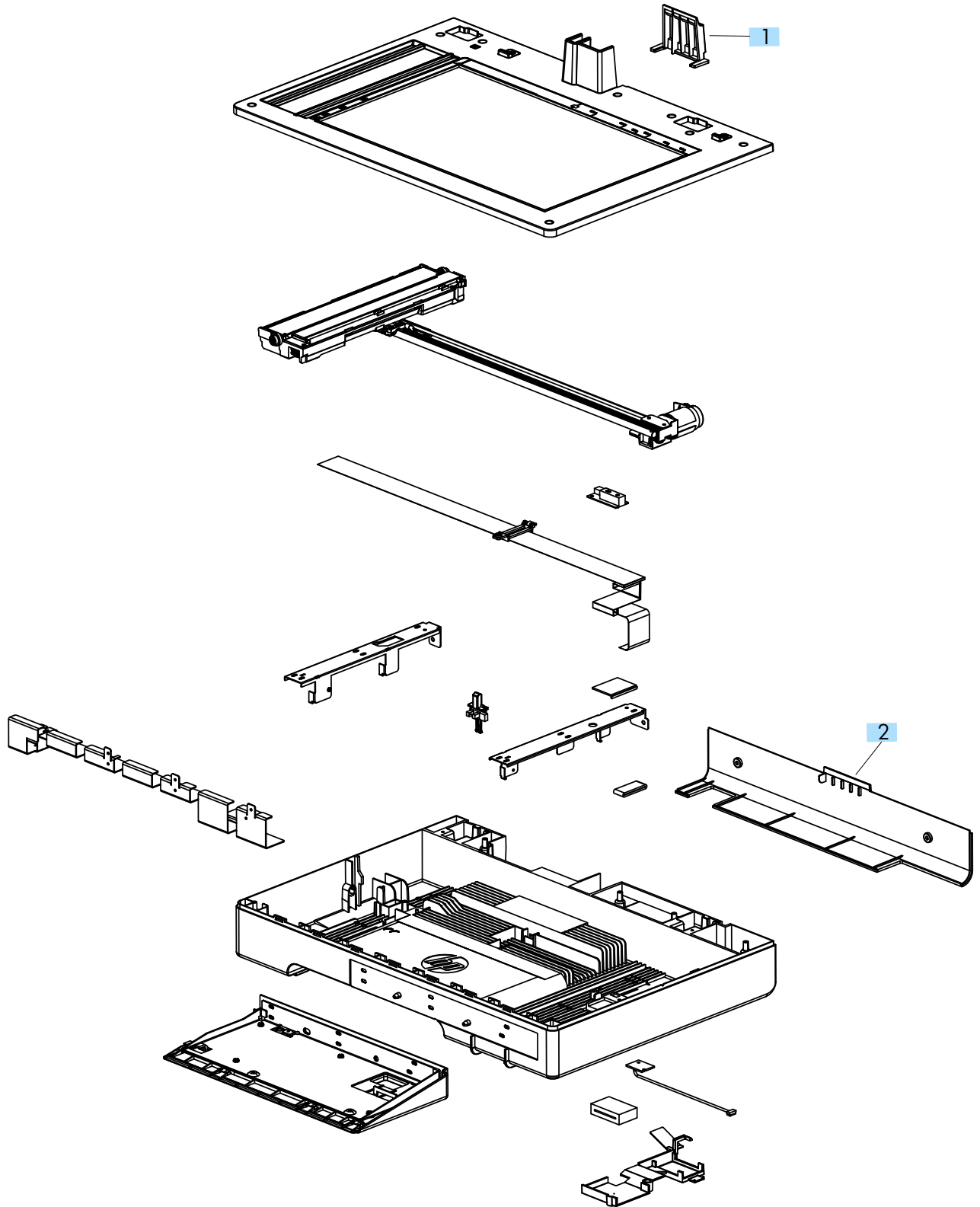


Table 2-11 Scanner assemblies

Ref	Description	Part number	Qty
1	Cover, ADF cable	5851-0630	1
2	Cover, rear scanner	CD644-40001	1
Not shown	PCA, scanner memory	CD644-67924	1
Not shown	Cave light	CF116-60104	1
Not shown	Cable harness merge assy	Q7404-50005	1