

Tray 2

Figure 2-17 Tray 2

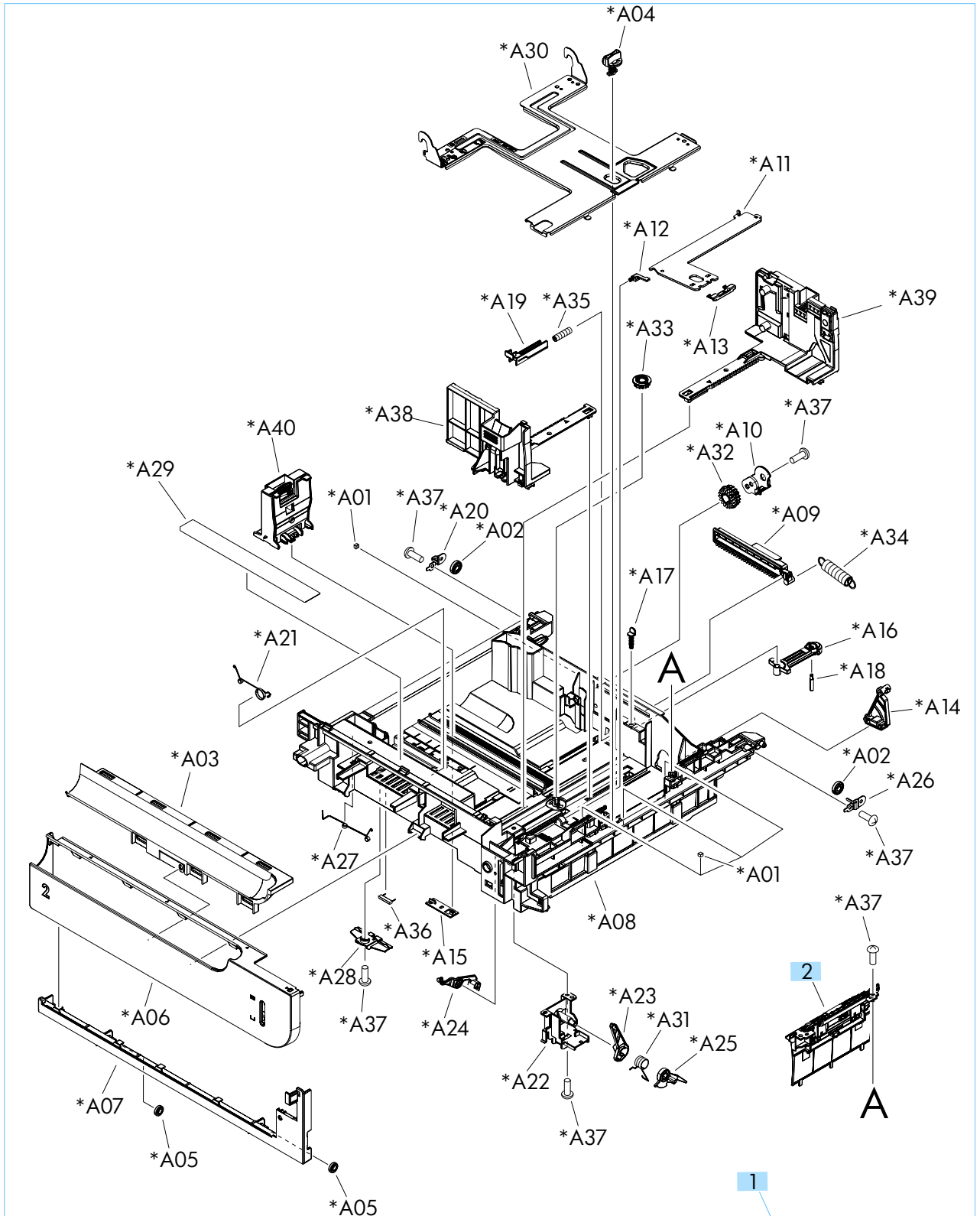


Table 2-19 Tray 2

Ref	Description	Part number	Qty
1	Tray 2	RM1-6198-000CN	1
2	Separation roller assembly (part of roller kit)	CD644-67904	1