

3500-sheet paper deck components

Figure 2-17 3500-sheet paper feeder (1 of 2)

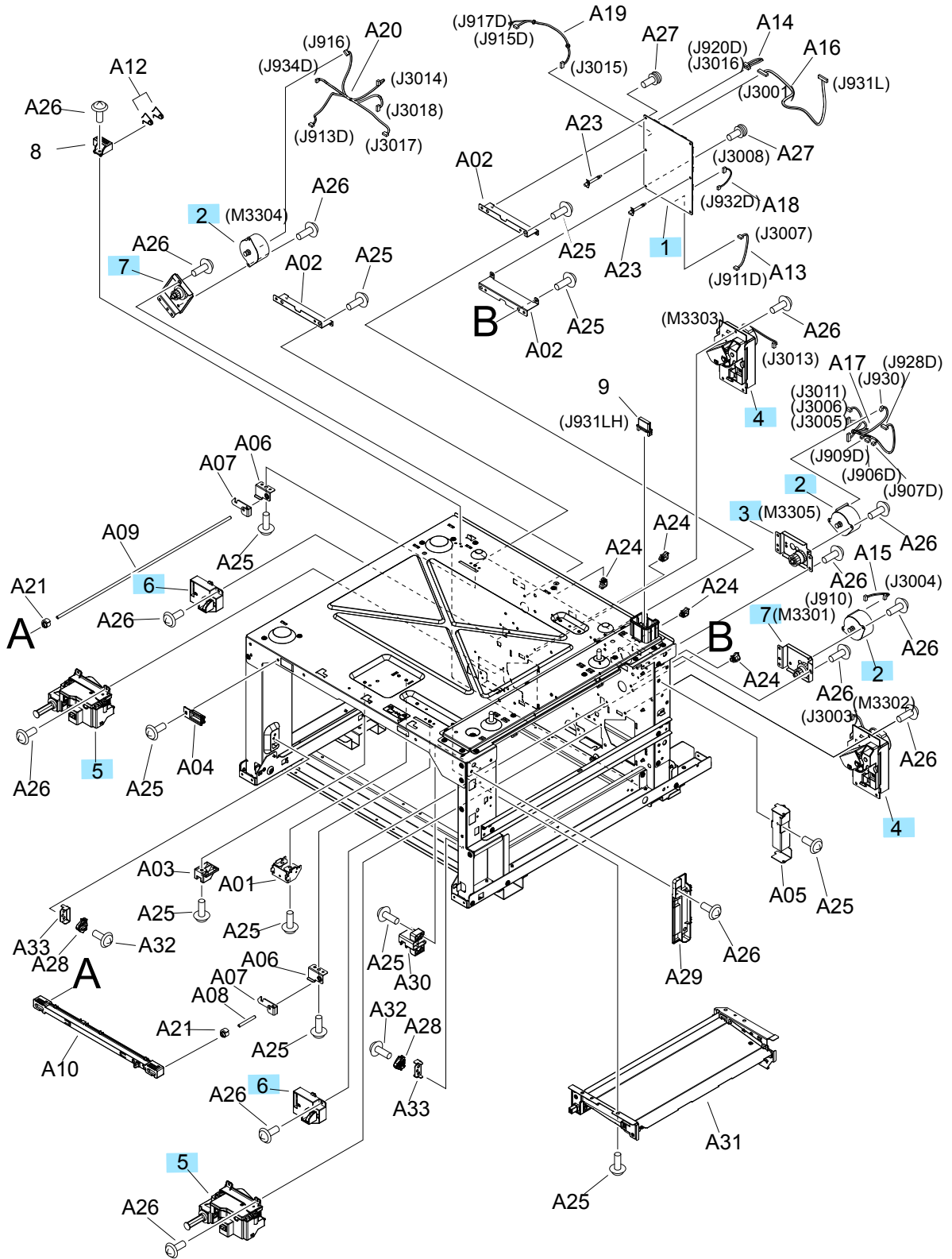


Table 2-22 3500-sheet paper feeder (1 of 2)

Ref	Description	Part number	Qty
1	Controller PCA assembly	RM2-0567-000CN	1
2	Motor, stepping, DC	RK2-1331-000CN	3
3	Crossing drive assembly	RM1-9582-000CN	1
4	Lifter drive assembly	RM1-8879-000CN	2
5	Auto close assembly	RM1-8880-000CN	2
6	Paper remnant detect assembly	RM1-9579-000CN	2
7	Paper pick-up drive assembly	RM1-9581-000CN	2