

Figure 2-18 3500-sheet paper feeder (2 of 2)

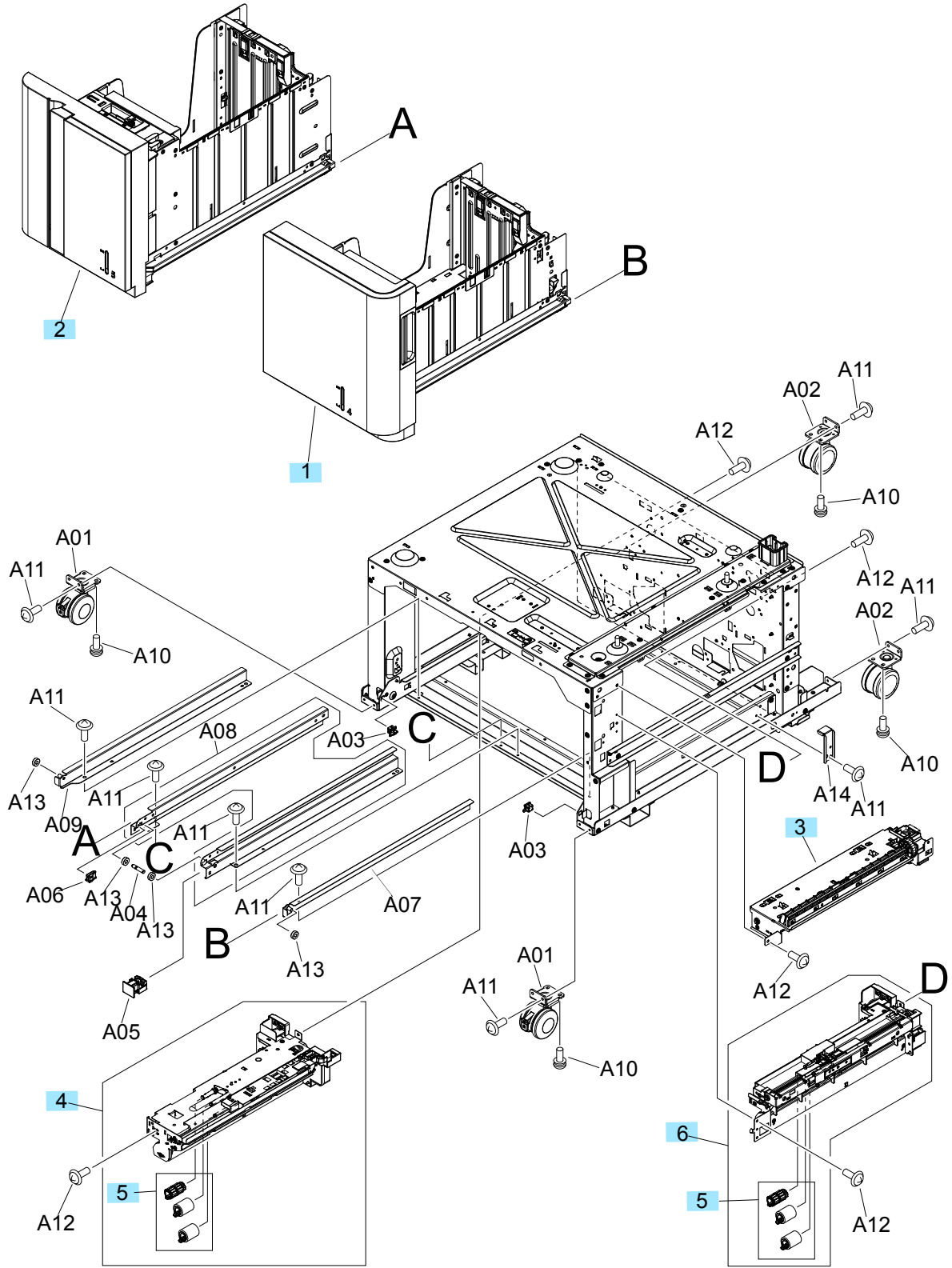


Table 2-23 3500-sheet paper feeder (2 of 2)

Ref	Description	Part number	Qty
1	Kit, HCI right tray	CZ244-67903	1
2	Kit, HCI left tray	CZ244-67904	1
3	Crossing paper feed assembly	RM1-9883-000CN	1
4	Paper pick-up assembly	RM2-0708-000CN	1
5	Kit, tray 2-x roller	CF367-67903	2
6	Paper pickup paper feed assembly	RM2-0709-000CN	1