

Document feeder assemblies (M830)

Figure 2-8 Document feeder assemblies (M830; 1 of 2)

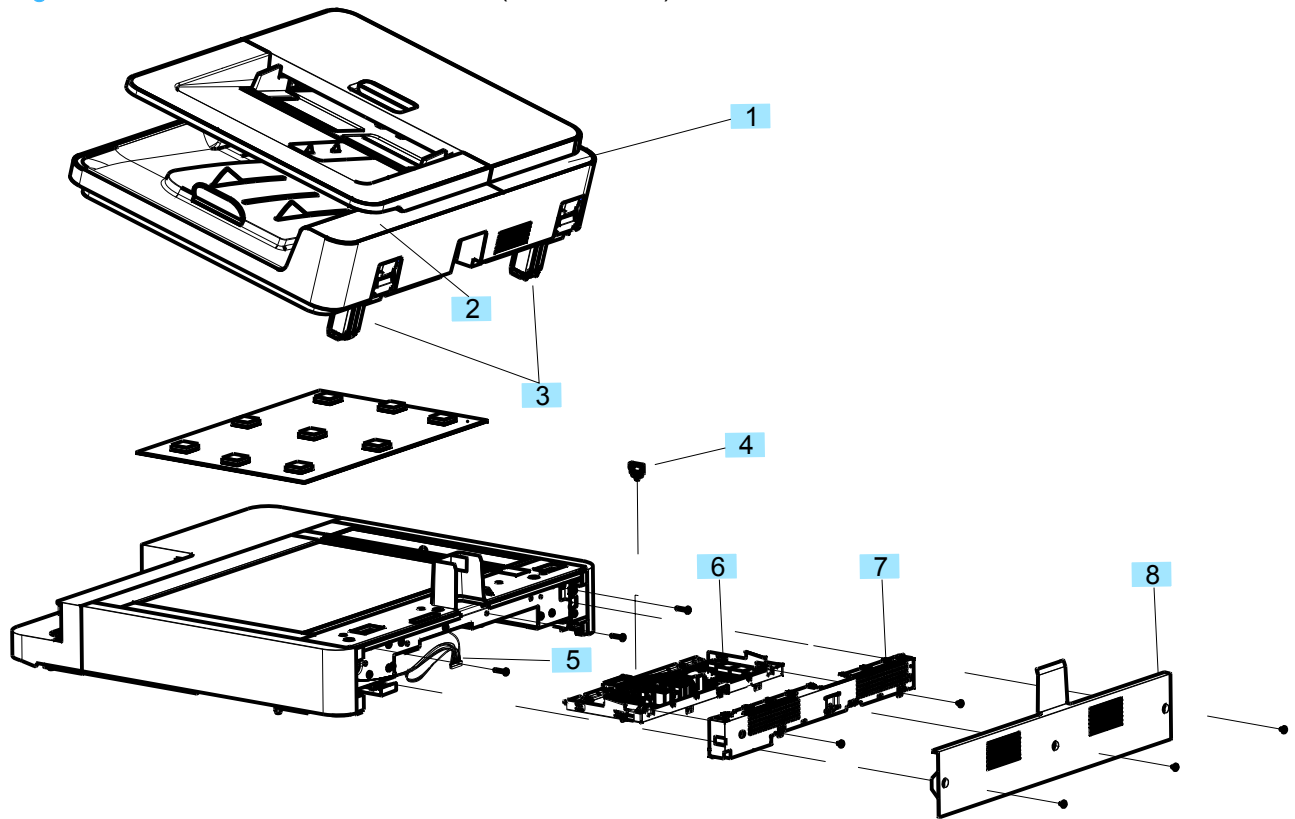


Table 2-13 Document feeder assemblies (1 of 2; M830)

Ref	Description	Part number	Qty
1	Cover, rear, left ADF (M830)	A8T68-40067	1
2	Cover, rear, right ADF (M830)	A8T68-40066	1
3	Assembly, ADF hinge (M830)	A8T68-60025	2
4	Clip, ISA cable (M830)	5851-4725	1
5	Cable, power, integrated scan assembly (M830)	CF367-60127	1
6	Scanner control board (SCB; M830)	CF367-60002	1
7	Cage, back, SCB cover (M830)	CF367-00018	1
8	Cover, back, scanner (M830)	CF368-60142	1
Not shown	Flag, paper presence (M830)	A8T68-40033	1
Not shown	Photosensor with connector (M830)	CC355-80014	1
Not shown	Stopper, load-front (M830)	A8T68-40034	1
Not shown	Stopper, load-rear (M830)	A8T68-40035	1
Not shown	Stopper, front (M830)	A8T68-40042	1
Not shown	Stopper, rear (M830)	A8T68-40042	1
Not shown	Lift plate assembly (M830)	A8T68-60006	1