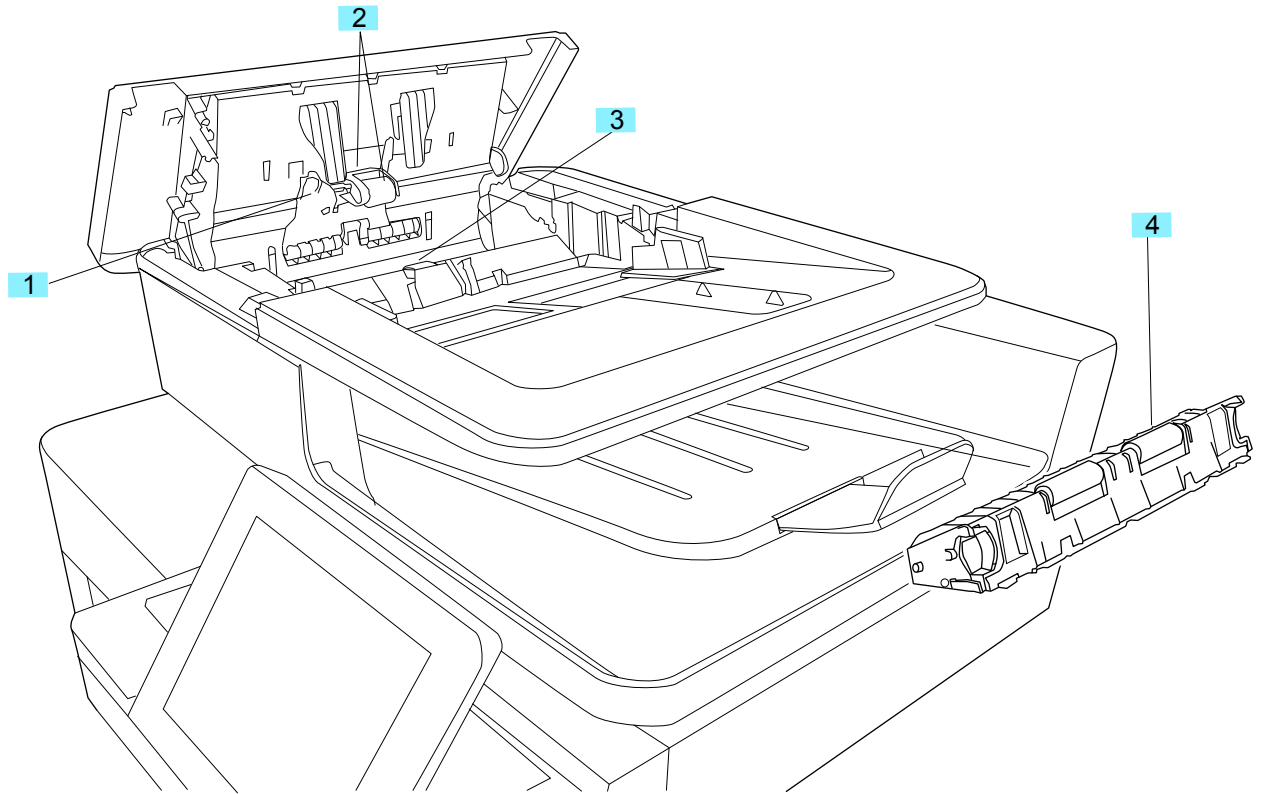


Figure 2-9 Document feeder assemblies ( M830; 2 of 2)



**Table 2-14 Document feeder assemblies (2 of 2; M830)**

<b>Ref</b>	<b>Description</b>	<b>Part number</b>	<b>Qty</b>
1	Cover, ADF roller (M830)	A8T68-40072	1
2	Kit, ADF roller (M830)	C1P70-67901	1
3	Background selector for backside scan (M830)	A8T68-60021	1
Not shown	Kit, ADF separation pad spring (M830)	5851-5855	1