

Booklet maker saddle assembly

Figure 2-26 Booklet maker saddle assembly (1 of 3)

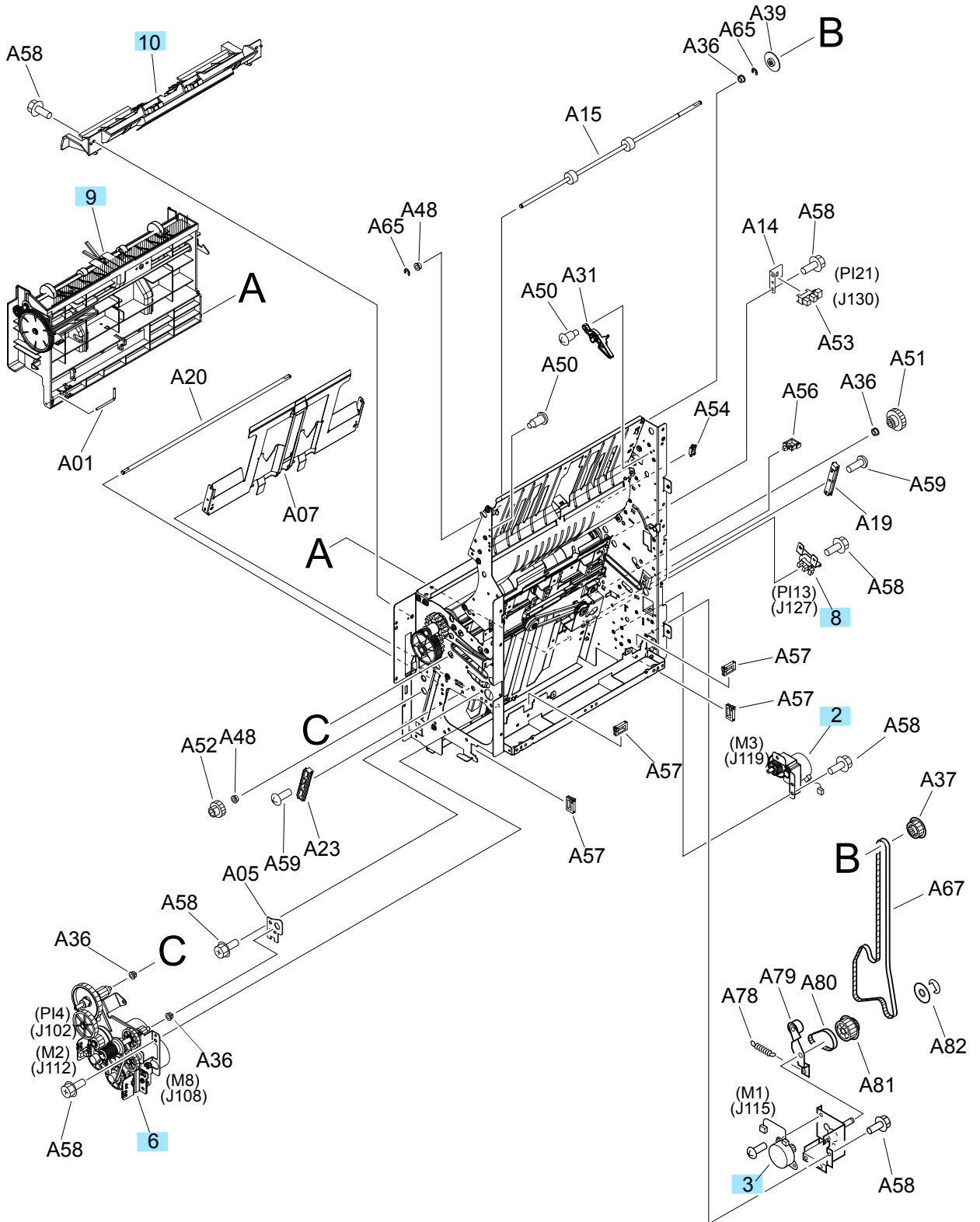


Figure 2-27 Booklet maker saddle assembly (2 of 3)

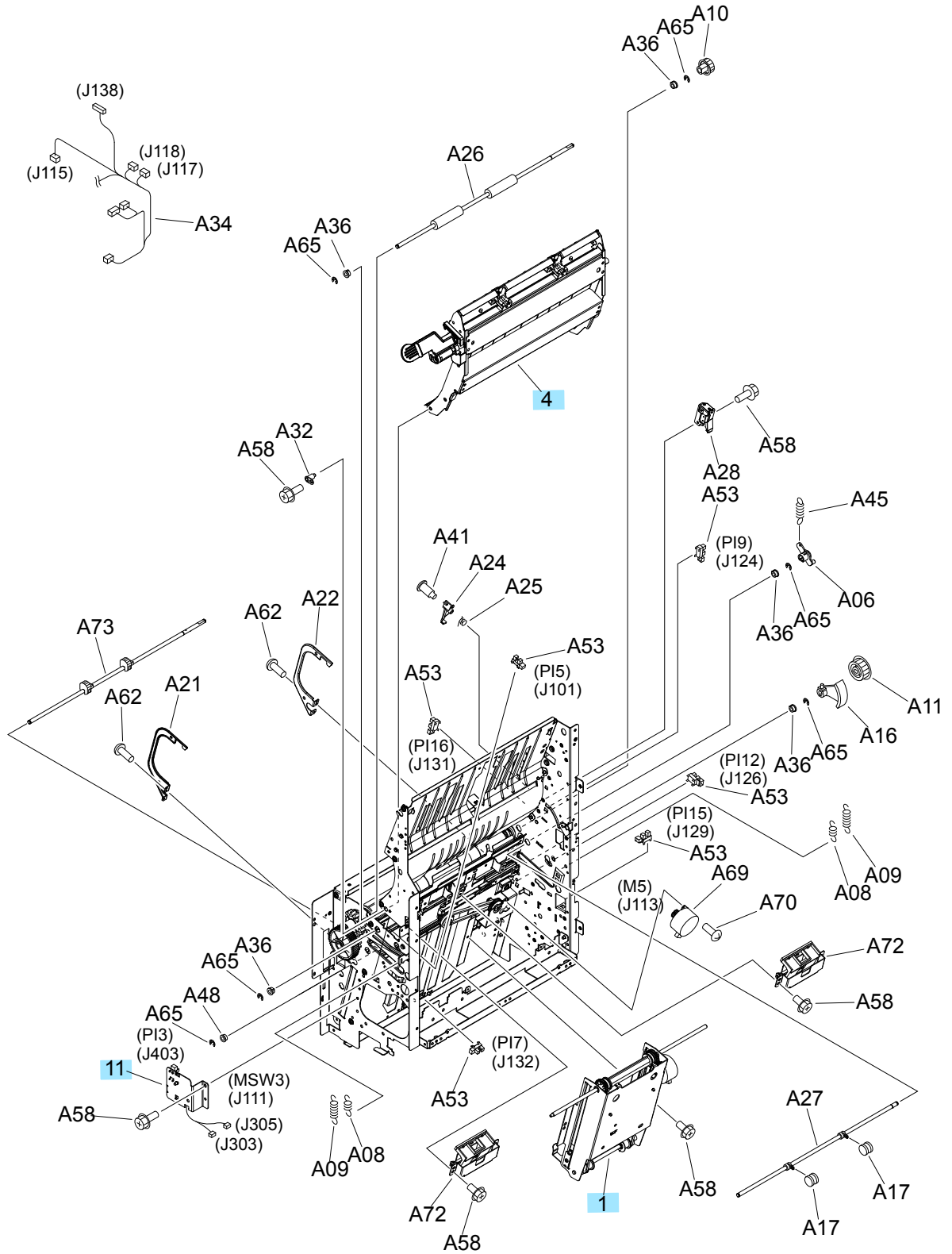


Table 2-31 Booklet maker saddle assembly

Ref	Description	Part number	Qty
1	Inner side plate assembly	4G3-0671-000CN	1
2	Guide motor assembly	4G3-0725-000CN	1
3	Saddle feed motor assembly	4H3-0369-000CN	1
4	Saddle guide assembly	4G3-1940-000CN	2
5	Saddle stapler assembly	4G3-2721-000CN	1
6	Motor mount assembly	FM0-1686-000CN	1
7	Rear end sensor assembly	FM2-0763-000CN	1
8	Guide sensor assembly	FM6-2283-000CN	1
9	Saddle paper delivery assembly	RM2-5332-000CN	1
10	Upper delivery guide assembly	RM2-5349-000CN	1
11	Delivery switch mount assembly	RM2-5633-000CN	1
12	Saddle controller PCA assembly	RM2-7604-000CN	1
Not shown	Assembly, E-ring saddle stapler	XD9-0136-000CN	1