

Internal assemblies

Internal assemblies (1 of 4)

Figure 2-12 Internal assemblies (1 of 4)

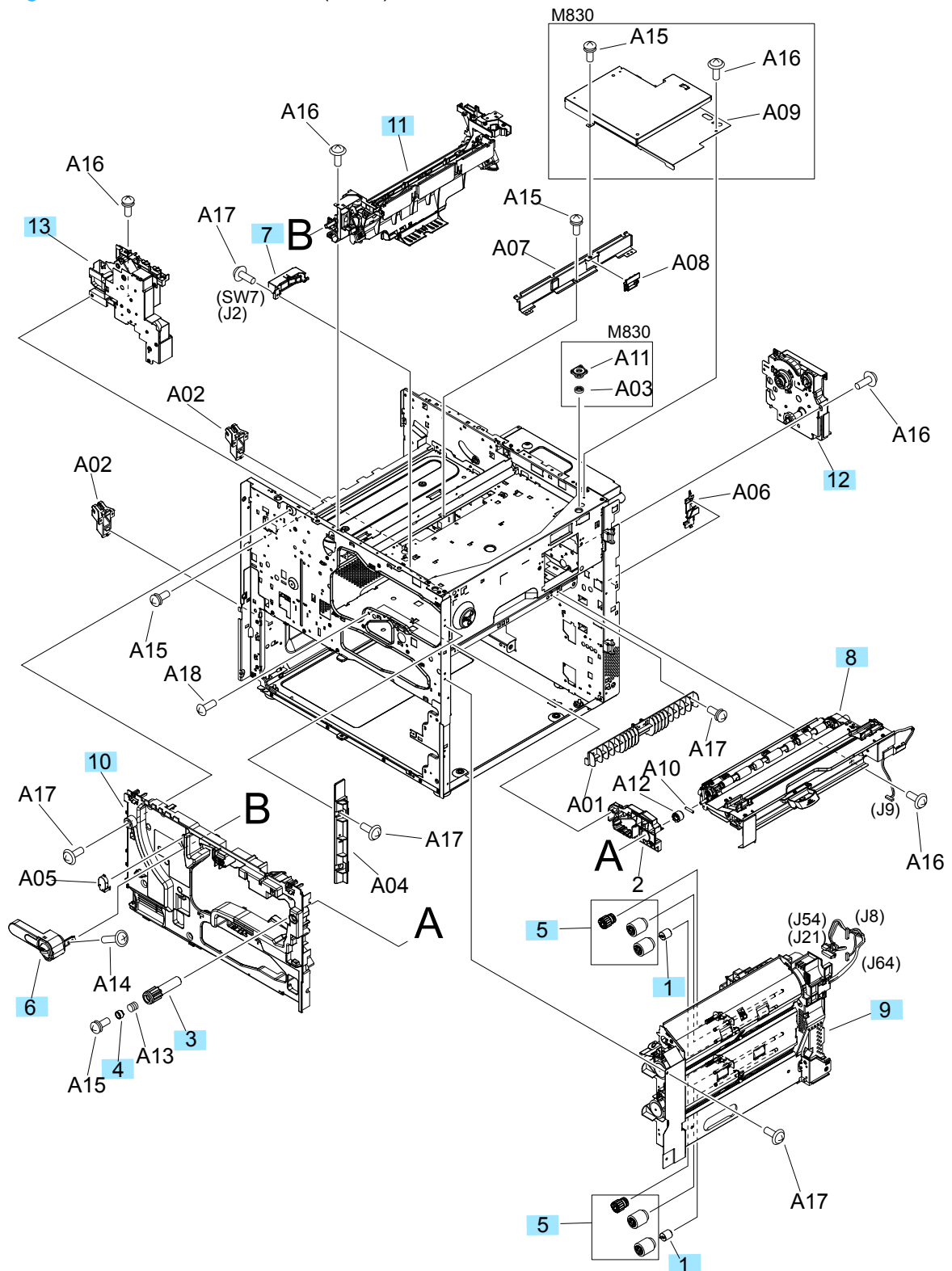


Table 2-17 Internal assemblies (1 of 4)

Ref	Description	Part number	Qty
1	Limiters, torque	RB2-5759-000CN	2
2	Guide, cartridge, front	RC3-3968-000CN	1
3	Dial, jam dispose	RC3-4269-000CN	1
4	Lid, jam dispose dial	RC4-2004-000CN	1
5	Kit, tray 2 roller	CF367-67903	4
6	Control lever assembly	RG5-5746-030CN	1
7	Right door switch assembly	RM1-9725-000CN	1
8	Registration assembly	RM1-9742-000CN	1
9	Paper pickup assembly	RM1-9745-000CN	1
10	Front inner cover assembly	RM1-9760-000CN	1
11	Cartridge lifter assembly	RM1-9775-000CN	1
12	Drum drive assembly	RM1-9784-000CN	1
13	Fusing drive assembly	RM1-9788-000CN	1