

Internal assemblies (2 of 4)

Figure 2-13 Internal assemblies (2 of 4)

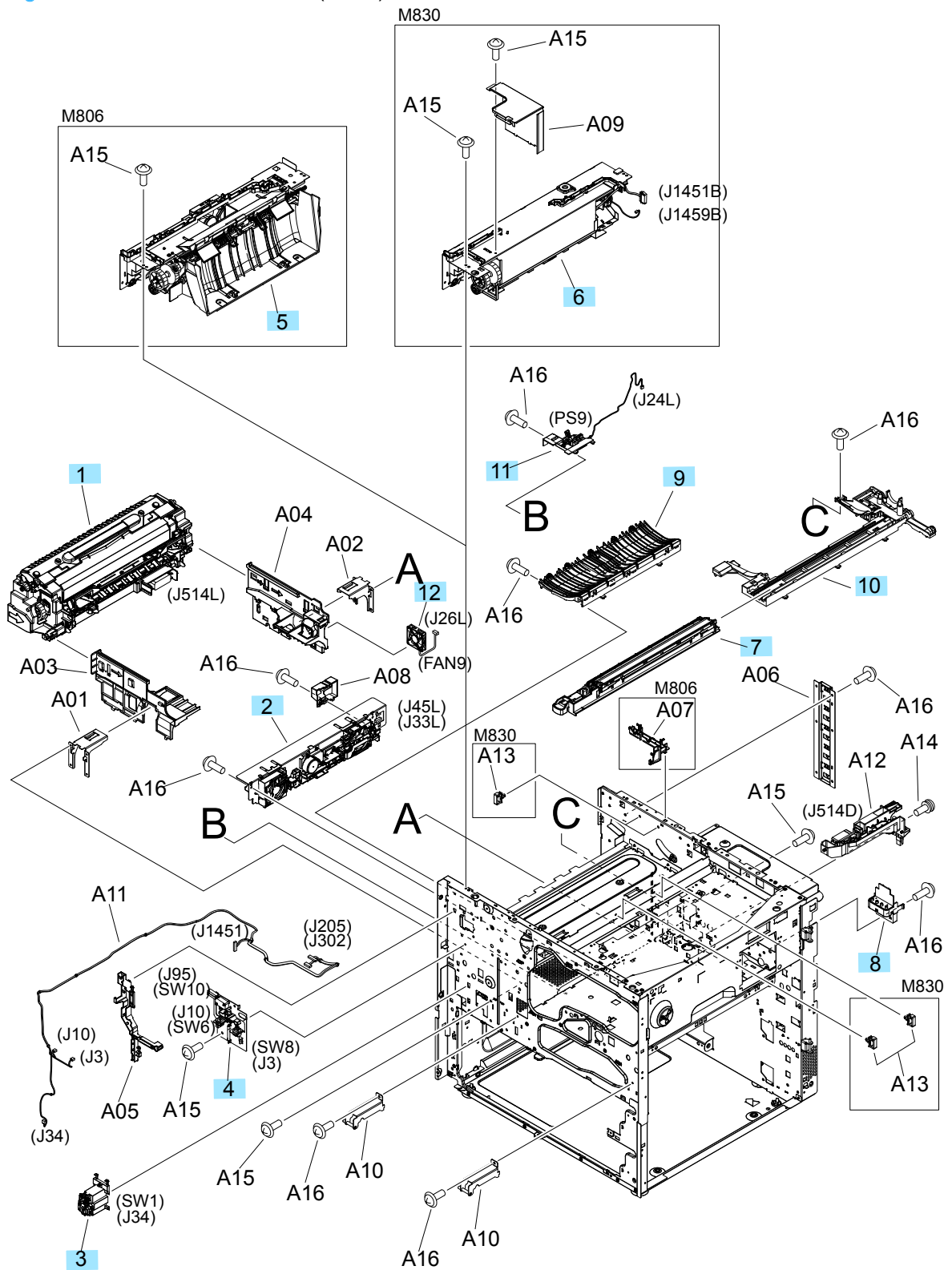


Table 2-18 Internal assemblies (2 of 4)

Ref	Description	Part number	Qty
1	Kit, fuser assembly, 110V	CF367-67905	1
1	Kit, fuser assembly, 220V	CF367-67906	1
2	Cooling unit assembly	RM1-9720-000CN	1
3	Power switch assembly	RM1-9723-000CN	1
4	Interlock assembly	RM1-9724-000CN	1
5	Face-down paper delivery assembly (M806)	RM1-9732-000CN	1
6	Paper delivery fan assembly (M830)	RM1-9734-000CN	1
7	Kit, transfer roller assembly	CF367-67907	1
8	Cartridge contact assembly	RM1-9758-000CN	1
9	Transfer paper feed assembly	RM1-9705-000CN	1
10	Transfer holder assembly	RM1-9706-000CN	1
11	Sensor unit, loop	RM1-9707-000CN	1
12	Fan	RK2-5004-000CN	1