

Internal assemblies (3 of 4)

Figure 2-14 Internal assemblies (3 of 4)

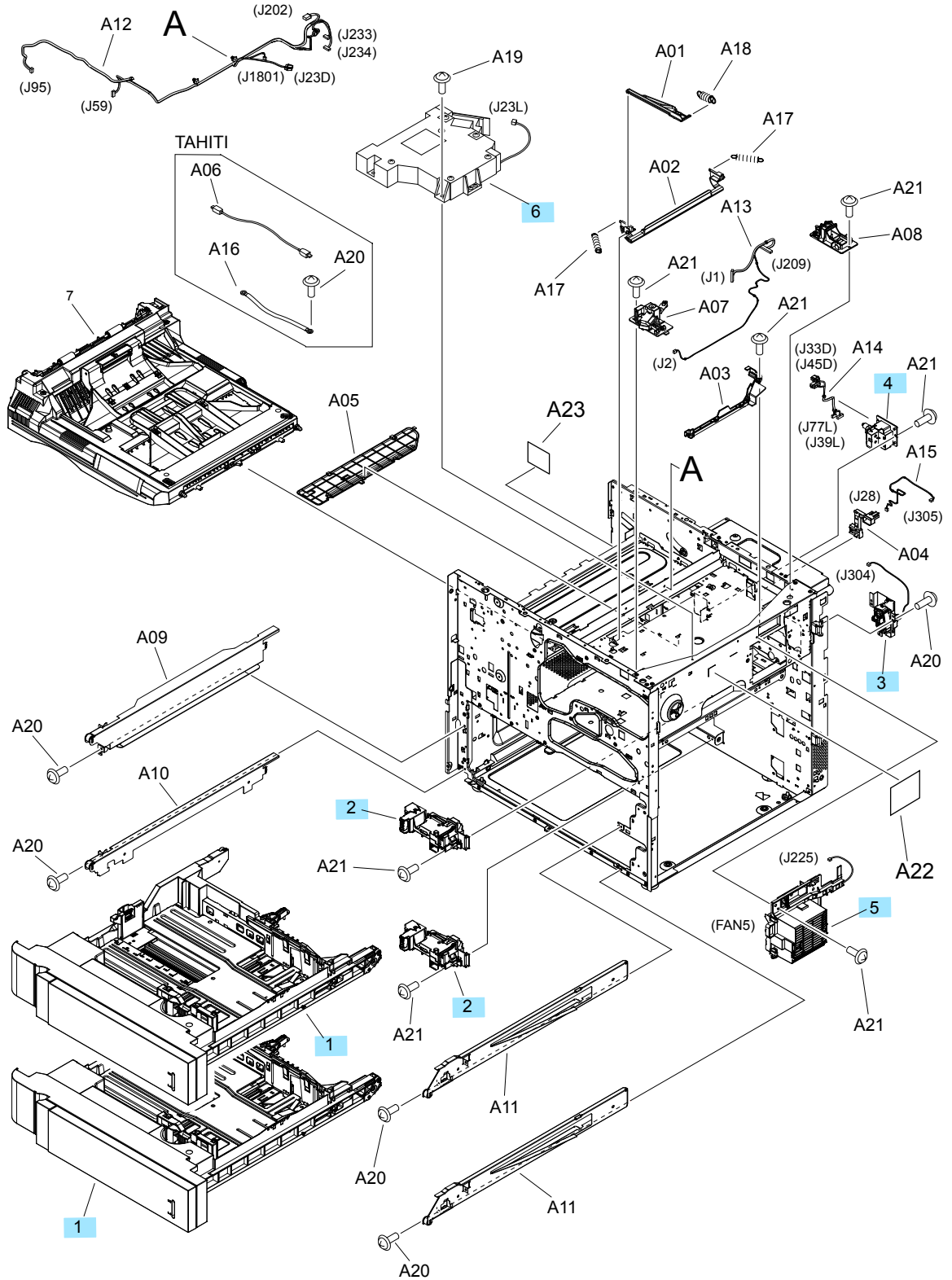


Table 2-19 Internal assemblies (3 of 4)

Ref	Description	Part number	Qty
1	Cassette assembly	RM1-9726-000CN	2
2	Auto close assembly	RM1-9757-000CN	2
3	Tag assembly	RM1-9759-000CN	1
4	Fixing bias contact assembly	RM1-9762-000CN	1
5	Cartridge fan assembly	RM1-9768-000CN	1
6	Laser scanner assembly	RM2-5207-000CN	1