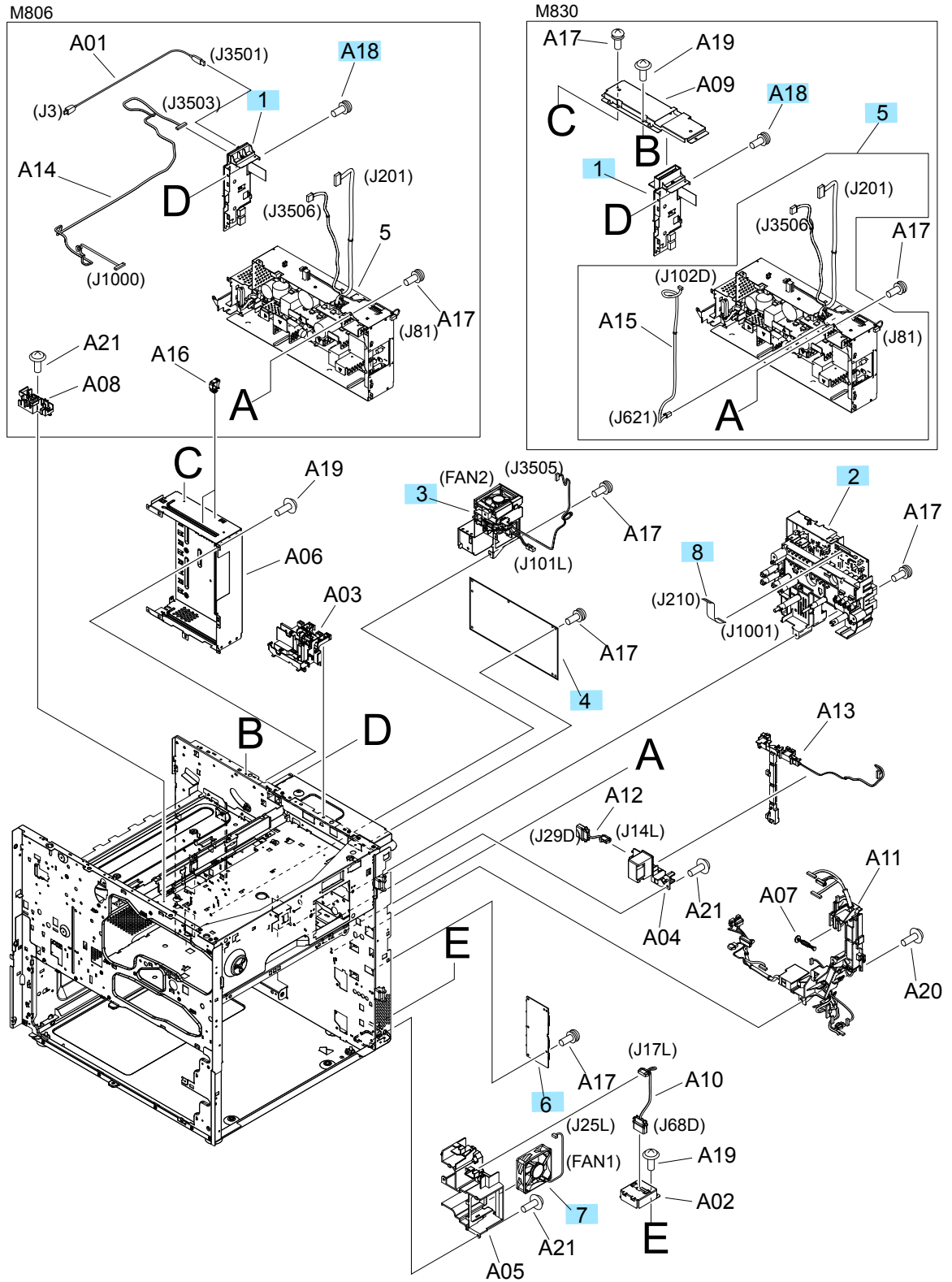


# Internal assemblies (4 of 4)

Figure 2-15 Internal assemblies (4 of 4)



**Table 2-20 Internal assemblies (4 of 4)**

<b>Ref</b>	<b>Description</b>	<b>Part number</b>	<b>Qty</b>
1	ICB PCA assembly (M806)	RM1-9764-000CN	1
1	ICB PCA assembly (M830)	RM1-9765-000CN	1
2	High voltage power supply	RM1-9767-000CN	1
3	Option connector assembly	RM1-9778-000CN	1
4	DC controller PCA assembly	RM2-0540-000CN	1
5	Low-voltage power supply, 110-127V (M806)	RM2-0544-000CN	1
5	Low-voltage power supply, 220-240V (M806)	RM2-0545-000CN	1
5	Low-voltage power supply, 110-127V (M830)	RM2-0548-000CN	1
5	Low-voltage power supply, 220-240V (M830)	RM2-0549-000CN	1
6	Driver PCA assembly	RM2-0558-000CN	1
7	Fan	RK2-4997-000CN	1
8	Cable, flexible flat	RK2-5013-000CN	1
A18	Connector	VS17258-012CN	1