

Stapler/stacker finisher main body

Figure 2-24 Stapler/stacker finisher main body
SS-PUNCHER

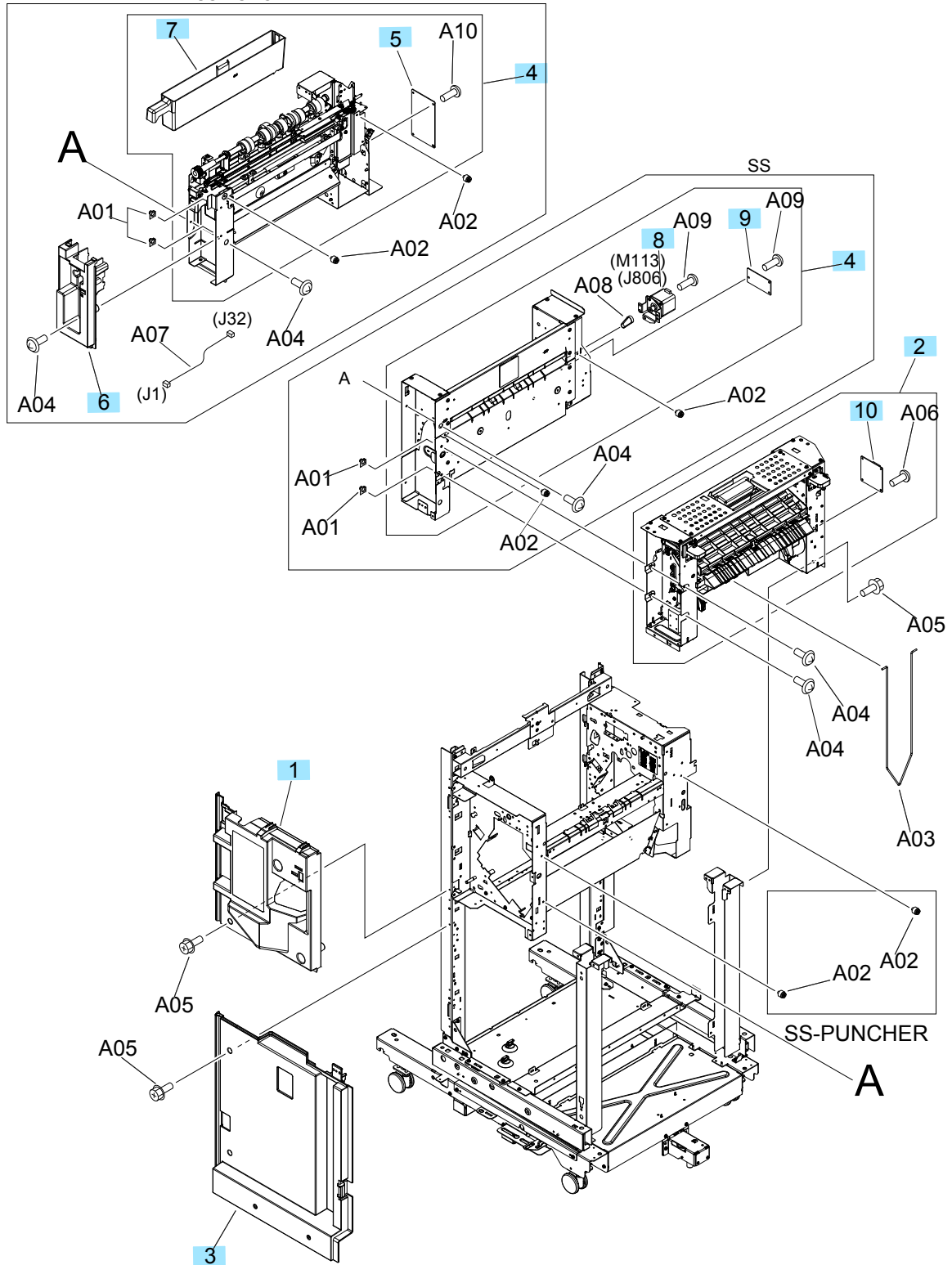


Table 2-29 Stapler/stacker finisher main body

Ref	Description	Part number	Qty
1	Inner cover upper assembly	RM2-5305-000CN	1
2	Reverse assembly	RM2-5490-000CN	1
3	Cover, inner, lower	RC4-2526-000CN	1
4	Paper pass assembly	RM2-5334-000CN	2
4	Punch hole assembly (stapler/stacker 2/3 hole punch)	RM2-5455-000CN	2
4	Punch hole assembly stapler/stacker 3/4 hole punch	RM2-5456-000CN	2
5	Punch controller PCB assembly	RM2-7742-000CN	1
6	Punch inner cover assembly (stapler/stacker, hole puncher)	RM2-5516-000CN	1
7	Box, dust (stapler/stacker, hole puncher)	RL2-1249-000CN	1
8	Saddle motor assembly (stapler/stacker)	FM2-0737-000CN	1
9	Driver PCA assembly (stapler/stacker)	RM2-7590-000CN	1
10	Reverse driver PCA assembly	RM2-7597-000CN	1