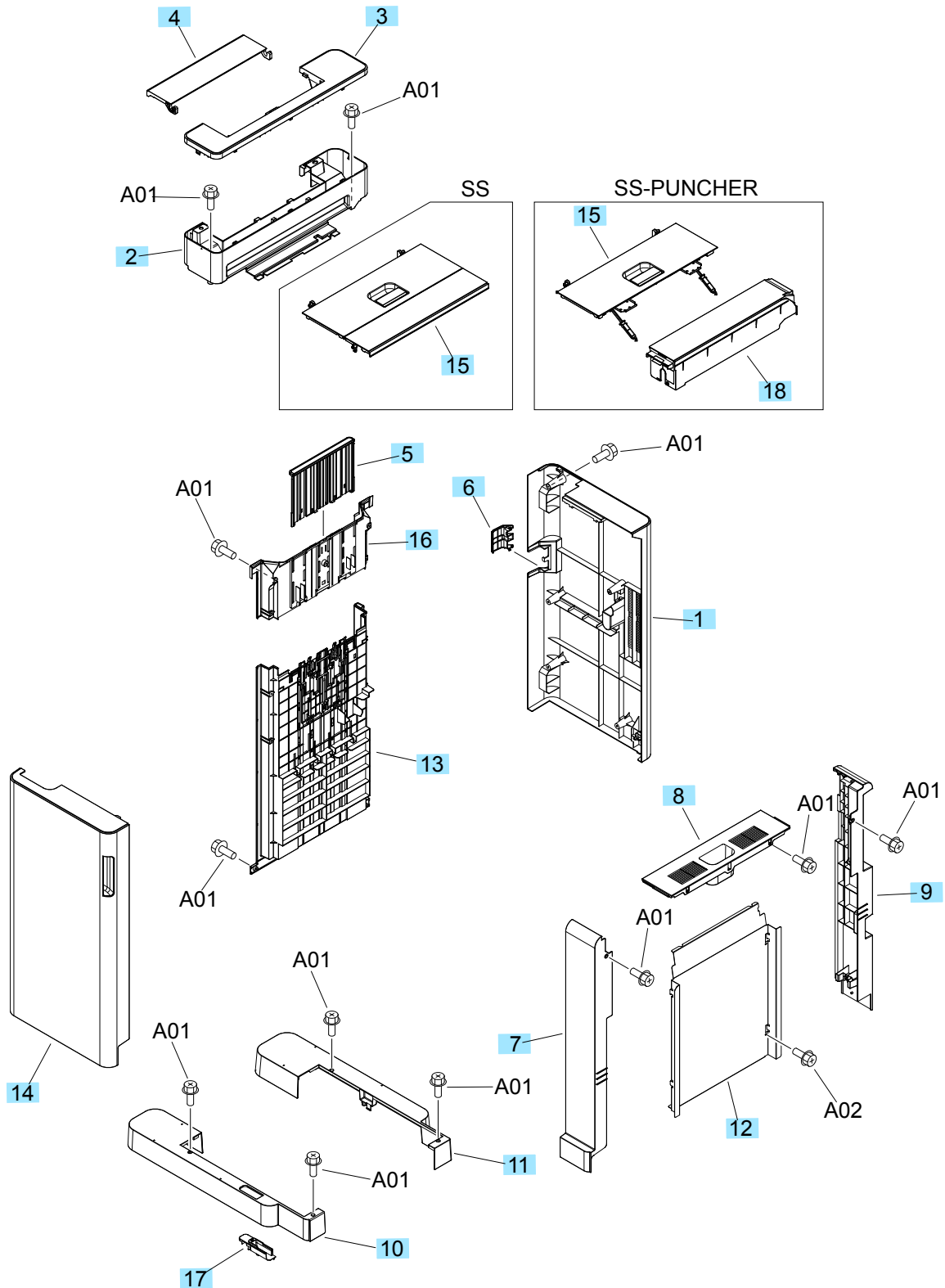


# Stapler stacker/booklet maker

## Stapler stacker covers

Figure 2-19 Stapler stacker covers



**Table 2-24 Stapler stacker covers**

<b>Ref</b>	<b>Description</b>	<b>Part number</b>	<b>Qty</b>
1	Cover, rear	RC4-2444-000CN	1
2	Cover, stepped, lower	RC4-2447-000CN	
3	Cover, stepped, upper	RC4-2448-000CN	1
4	Cover, open/close stepped	RC4-2449-000CN	1
5	Guide, wall, upper	RC4-2455-000CN	1
6	Cover, tray cable	RC4-2462-000CN	1
7	Cover, pre-reverse	RC4-2519-000CN	1
8	Cover, reverse, upper	RC4-2520-000CN	1
9	Cover, reverse, rear	RC4-2521-000CN	1
10	Cover, foot, front	RM2-6056-000CN	1
11	Cover, foot, rear	RM2-6057-000CN	1
12	Cover, right	RC4-2565-000CN	1
13	Height wall lower assembly	RM2-5853-000CN	1
14	Front cover assembly	RM2-5320-000CN	1
15	Upper cover assembly (stapler/stacker)	RM2-5322-000CN	1
15	Upper cover assembly (stapler/stacker, hole puncher)	RM2-5535-000CN	1
16	Stack wall upper assembly	RM2-5343-000CN	1
17	Handle, lock release	RC4-2584-000CN	1
18	Punch upper cover assembly (stapler/stacker, hole puncher)	RM2-5515-000CN	1