

Main body (1x500/3x500; 2 of 2)

Figure 4-27 Main body (1x500/3x500; 2 of 2)

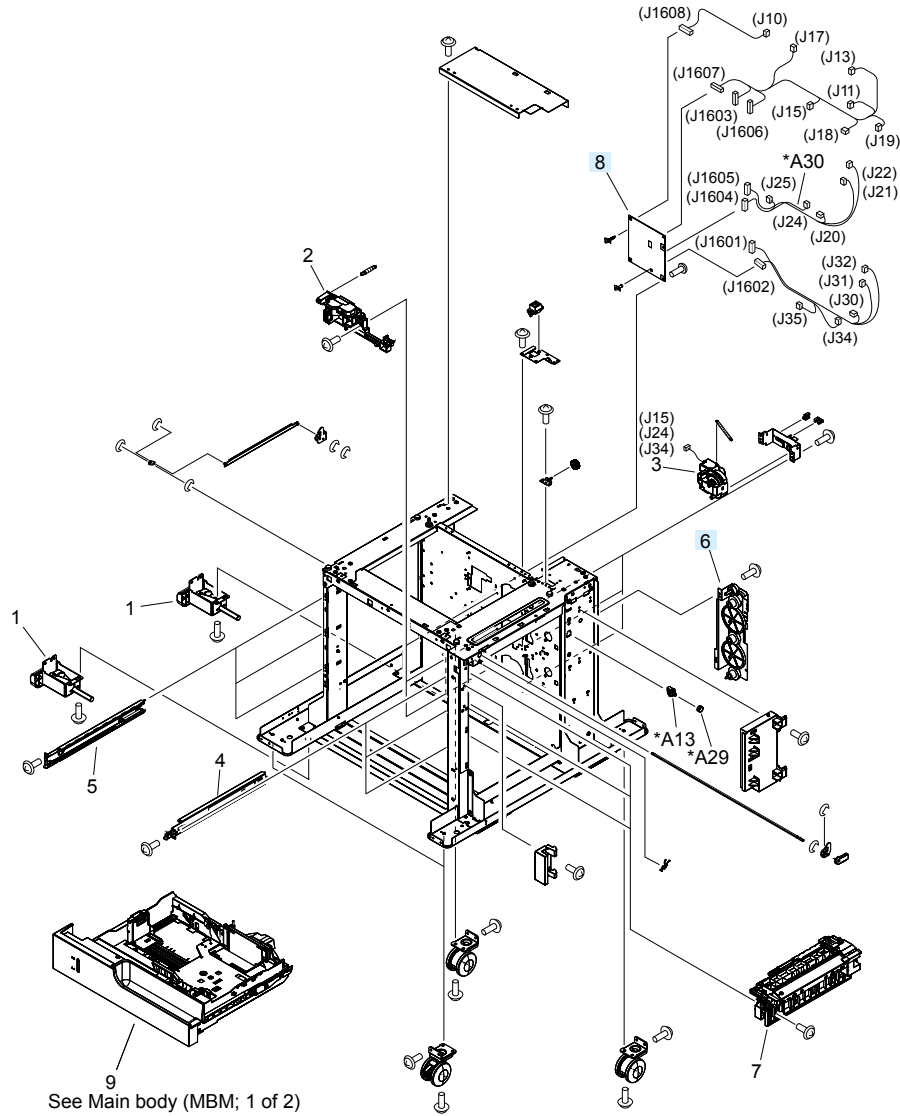


Table 4-27 Main body (1x500/3x500; 2 of 2)

Ref	Description	Part number	Qty
6	Paper pickup drive assembly (3x500)	RM1-5942-000CN	1
8	Paper deck driver PCA (3x500)	RM1-7153-000CN	1