

Document feeder components (1 of 5)

Figure 4-32 Document feeder components (1 of 5)

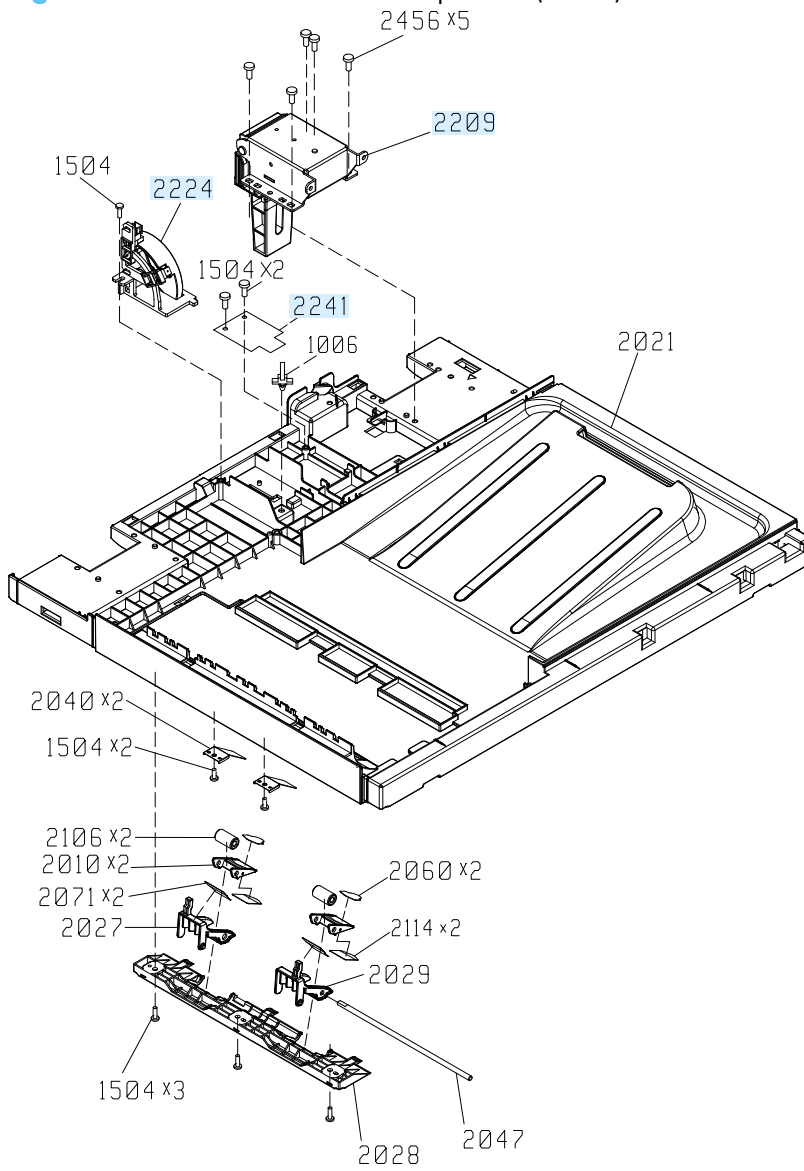


Table 4-32 Document feeder components¹ (1 of 5)

Ref	Description	Part number	Qty
2241	Interconnection board (ASY-PBA-RELAY-SP)	PF2309K118NI	1
2209	Hinge, right counterbalance (ASY-HNG-R-SP)	PF2309K119NI	1
2224	Sensor, open/close ADF (ASY-DFSENS-SP)	PF2309K121NI	1

¹ To order available fasteners for this component, see [Fasteners used in this product on page 656](#).