

Document feeder components (2 of 5)

Figure 4-33 Document feeder components (2 of 5)

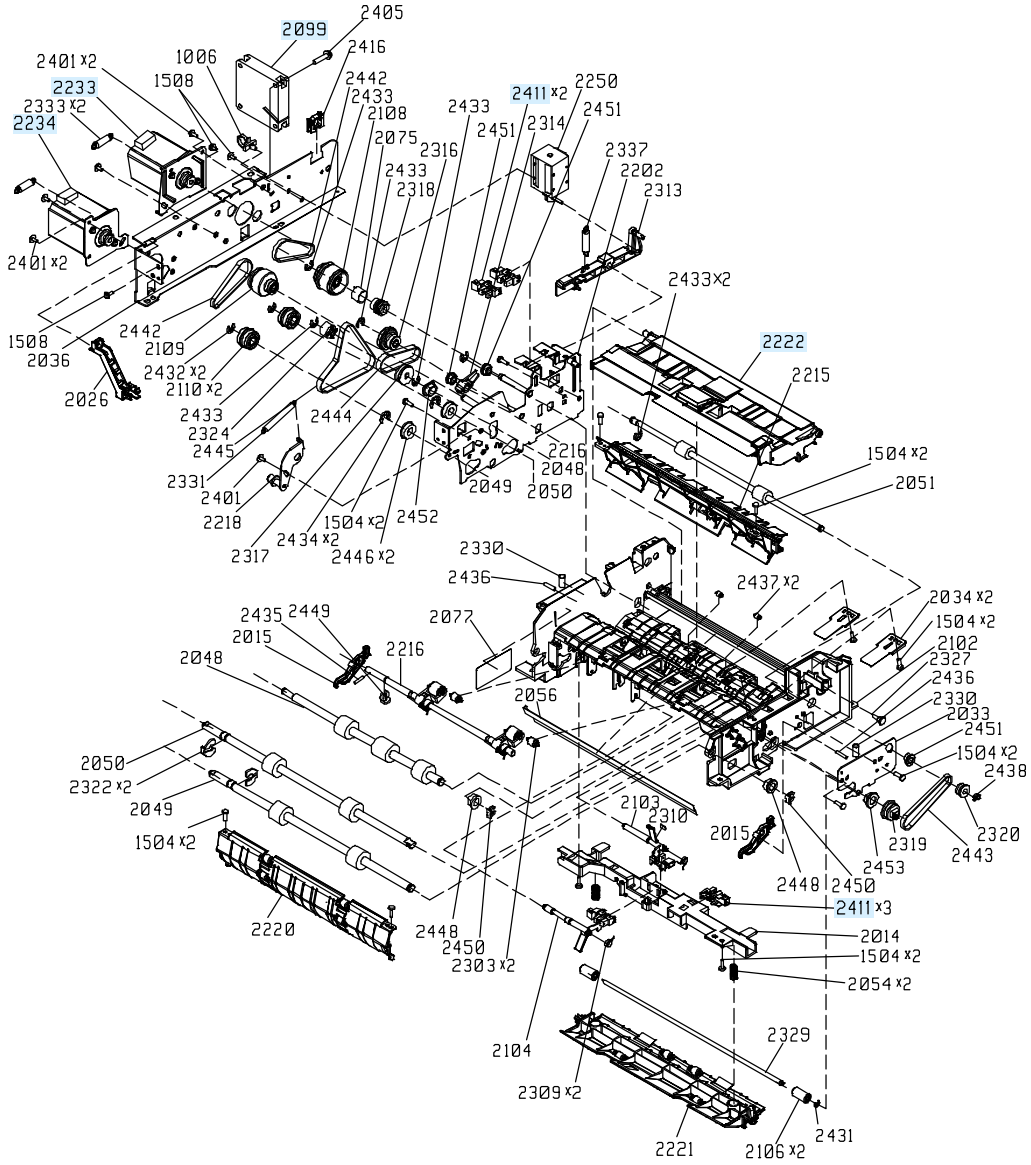


Table 4-33 Document feeder components¹ (2 of 5)

Ref	Description	Part number	Qty
2241	Sensor open/angle ADF (ASY-SG2481-NY-SP)	PF2309K122NI	5
2233	Motor, feed assembly ADF (ASY-MOT-FE-SP)	PF2309K125NI	1
2234	Motor read assembly ADF (ASY-MOT-RE-SP)	PF2309K126NI	1
2099	Motor, fan ADF (ASY-FAN-SP)	PF2309K127NI	1
2222	Upper paper path assembly (ASY-GIDREV-SPR-SP)	PF2309K129NI	1

¹ To order available fasteners for this component, see [Fasteners used in this product on page 656](#).