

Document feeder components (5 of 5)

Figure 4-36 Document feeder components (5 of 5)

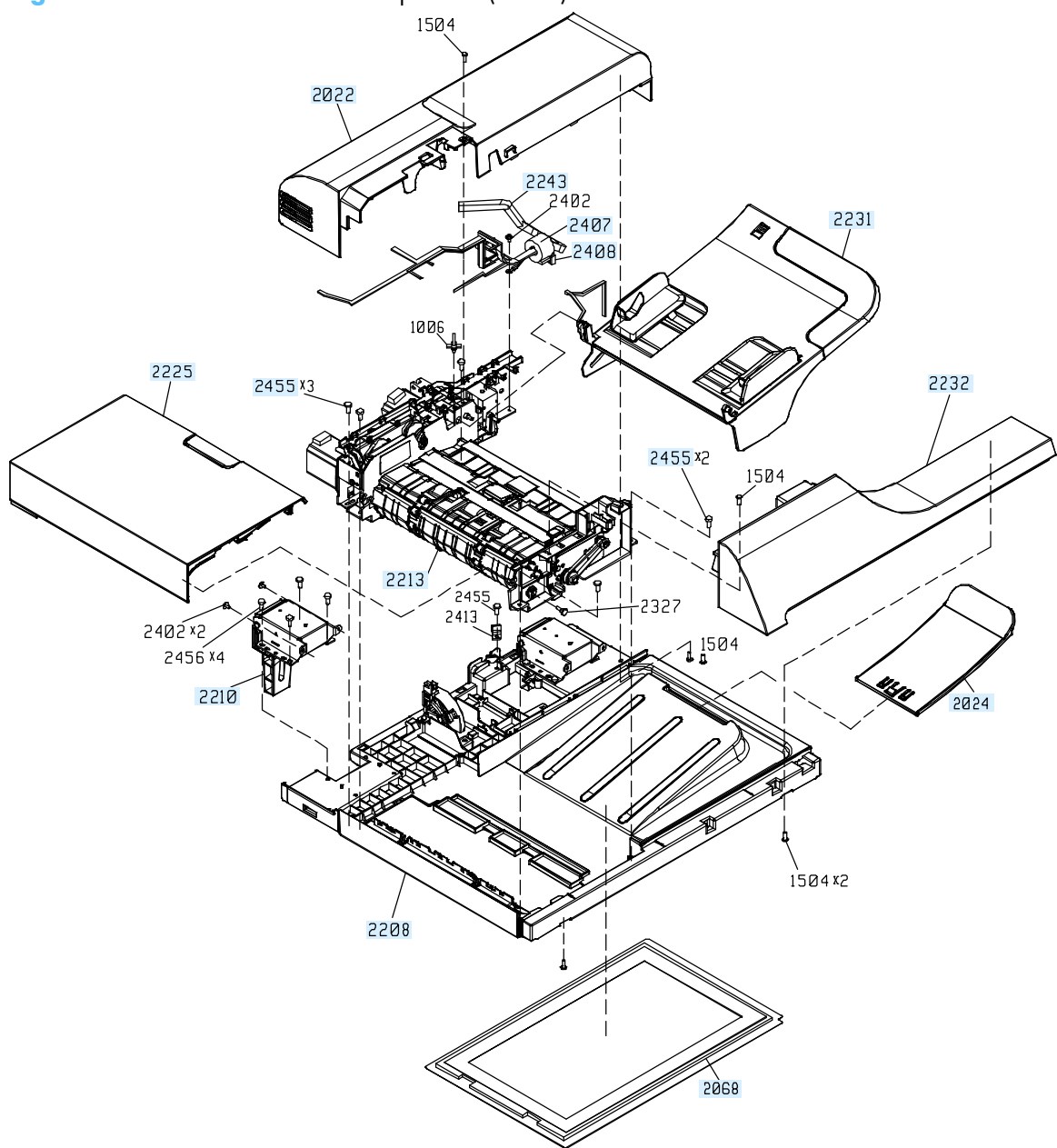


Table 4-36 Document feeder components¹ (5 of 5)

Ref	Description	Part number	Qty
2208	ADF base assy (ASY-BASE-SP)	PF2309K102NI	1
2213	ADP paper path assy (ASY-FRM-RE-FEED-SP)	PF2309K103NI	1
2210	Hinge, left counterbalance (ASY-HNG-L-SP)	PF2309K104NI	1
2225	Door jam assembly (ASY-CVR-FE-FEED-SP)	PF2309K105NI	1
2231	Tray, input assembly (ASY-TRY-SP)	PF2309K106NI	1
2232	Cover, front assembly (ASY-CVR-F-SP)	PF2309K107NI	1
2243	Cable, ADF interface (ASM-IF-SP)	PF2309K110NI	1
2407	Toroid, ADF interface cable (ASY-TFT-152613N-SP)	PF2309K111NI	1
2408	Sensor, ADF open/angle (ASY-TFB-2024IRS)	PF2309K112NI	1
2022	Cover, rear (ASY-CVR-F-R-SP)	PF2309K114NI	1
2024	Output tray extension (ASY-TRY-F-BASE-SP)	PF2309K116NI	1
2068	White background assembly (ASY-SHT-F-CUSH-SP)	PF2309K117NI	1

¹ To order available fasteners for this component, see [Fasteners used in this product on page 656](#).