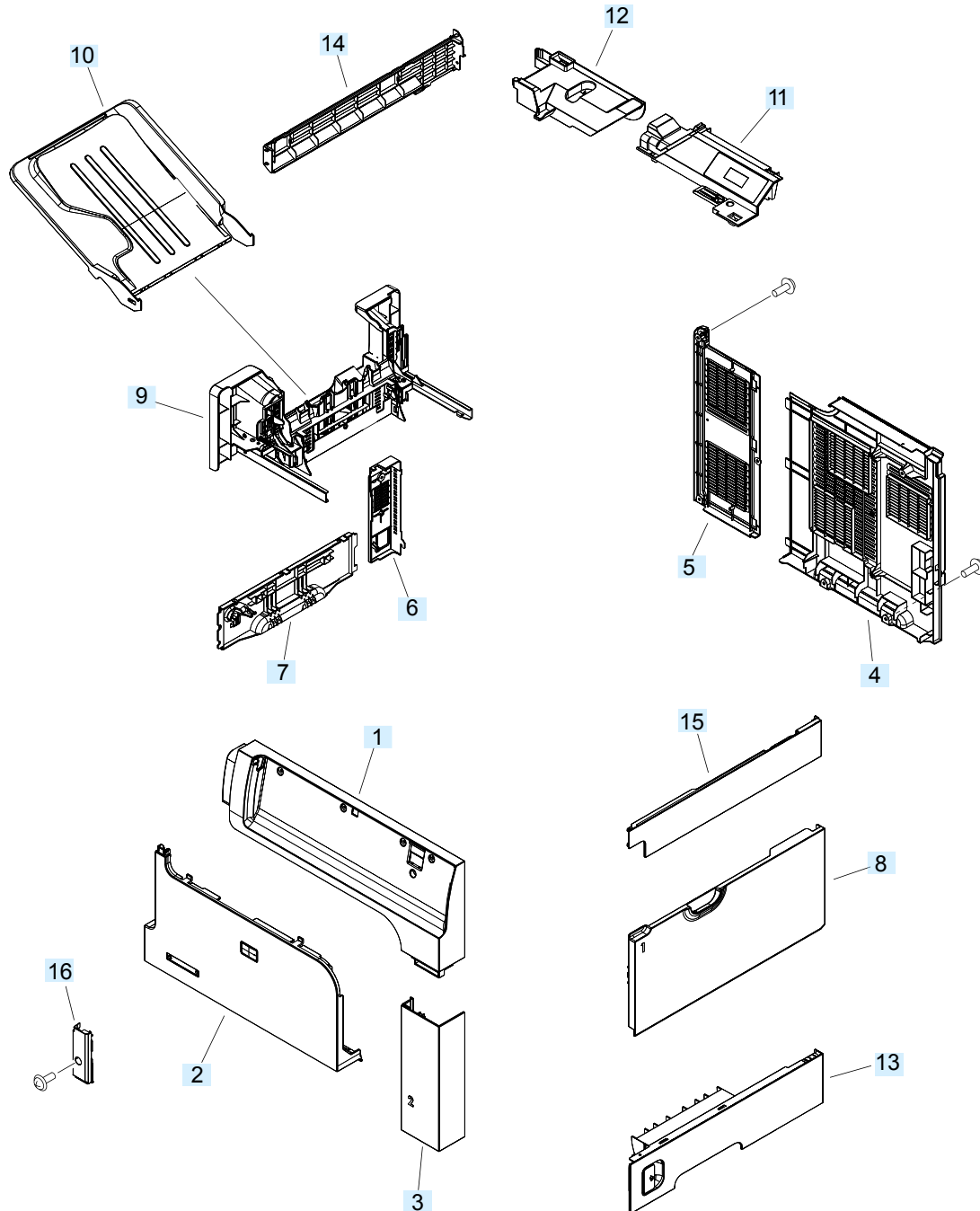


# Covers (and upper plate assembly)

## Product base

Figure 4-6 Covers



**Table 4-6 Covers**

<b>Ref</b>	<b>Description</b>	<b>Part number</b>	<b>Qty</b>
1	Cover, front-upper side assembly	RM1-7394-000CN	1
2	Cover, front	RC2-8007-000CN	1
3	Cover, right front	RC2-8011-000CN	1
4	Cover, right rear	RC2-8013-000CN	1
5	Cover, left rear	RC2-8014-000CN	1
6	Cover, rear side	RC2-7980-000CN	1
7	Cover, cassette left assembly	RM1-7378-000CN	1
8	Cover, MP assembly (Tray 1)	RM1-7402-000CN	1
9	Cover, tray base assembly (standard output bin mounting)	RM1-7409-000CN	1
10	Cover, paper delivery tray assembly (standard output bin)	RM1-7414-000CN	1
11	Cover, top rear	RC2-7992-000CN	1
12	Cover, cable image scanner	RC2-7993-000CN	1
13	Cover, right lower assembly	RM1-7404-000CN	14
1	Cover, lower left image scanner	RC2-8037-000CN	1
15	Cover, right image scanner	RC2-8036-000CN	1
16	Cover, front-lower left	RC2-7983-000CN	1