

Duplex assembly

Figure 4-20 Duplex assembly

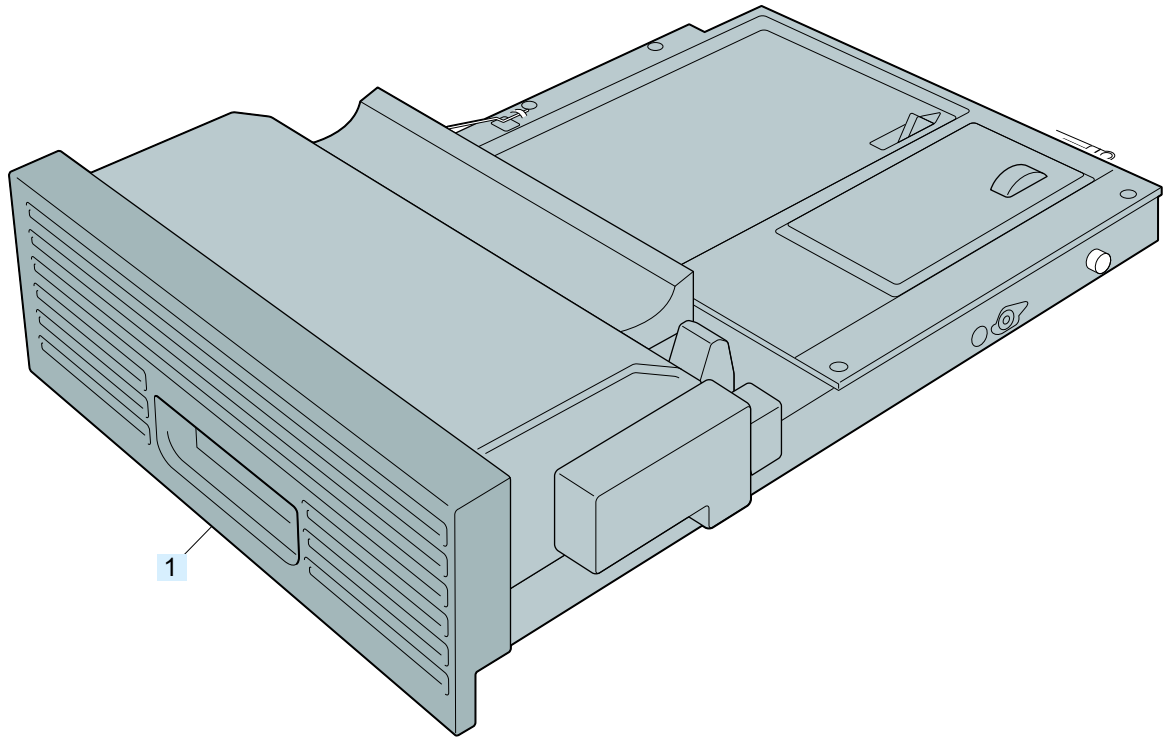


Table 4-20 Duplex assembly

Ref	Description	Part number	Qty
1	Duplex assembly	RM1-7387-000CN	1