

Internal components (2 of 5)

Figure 4-9 Internal components (2 of 5)

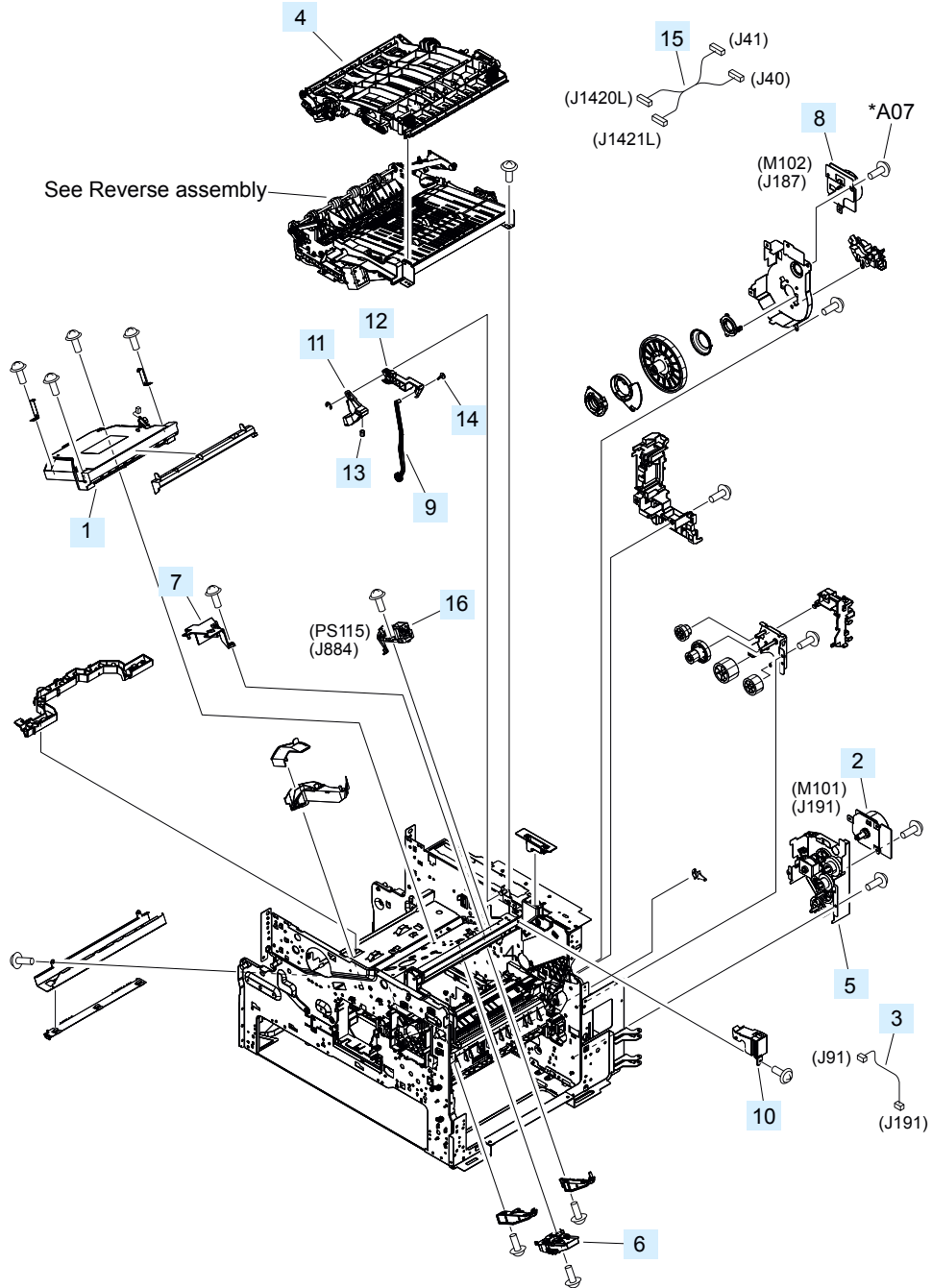


Table 4-9 Internal components (2 of 5)

Ref	Description	Part number	Qty
1	Laser/scanner assembly	RM1-7419-000CN	1
2	Motor, DC 24V	RL1-1657-020CN	1
3	Cable, paper feed motor	RM1-7114-000CN	1
4	Reverse estrangement guide assembly	RM1-7380-000CN	1
5	Paper pickup drive assembly	RM1-7403-000CN	1
6	Tag holder assembly	RM1-4539-000CN	1
7	Cover, lens protective	RC2-7994-000CN	1
8	Motor, DC 24V	RL1-1659-010CN	1
9	Rod, release	RC2-8086-000CN	1
10	Cover, door arm (top cover)	RC1-2833-000CN	1
11	Arm, door B	RC2-7967-000CN	1
12	Arm, door 1	RC1-2827-000CN	1
13	Spring, compression	RU5-2265-000CN	1
14	Stopper, bushing arm	RC1-3090-000CN	1
15	Cable, switchback joint	RM1-7180-000CN	1
16	Sensor, assembly cartridge	RM1-8323-000CN	1