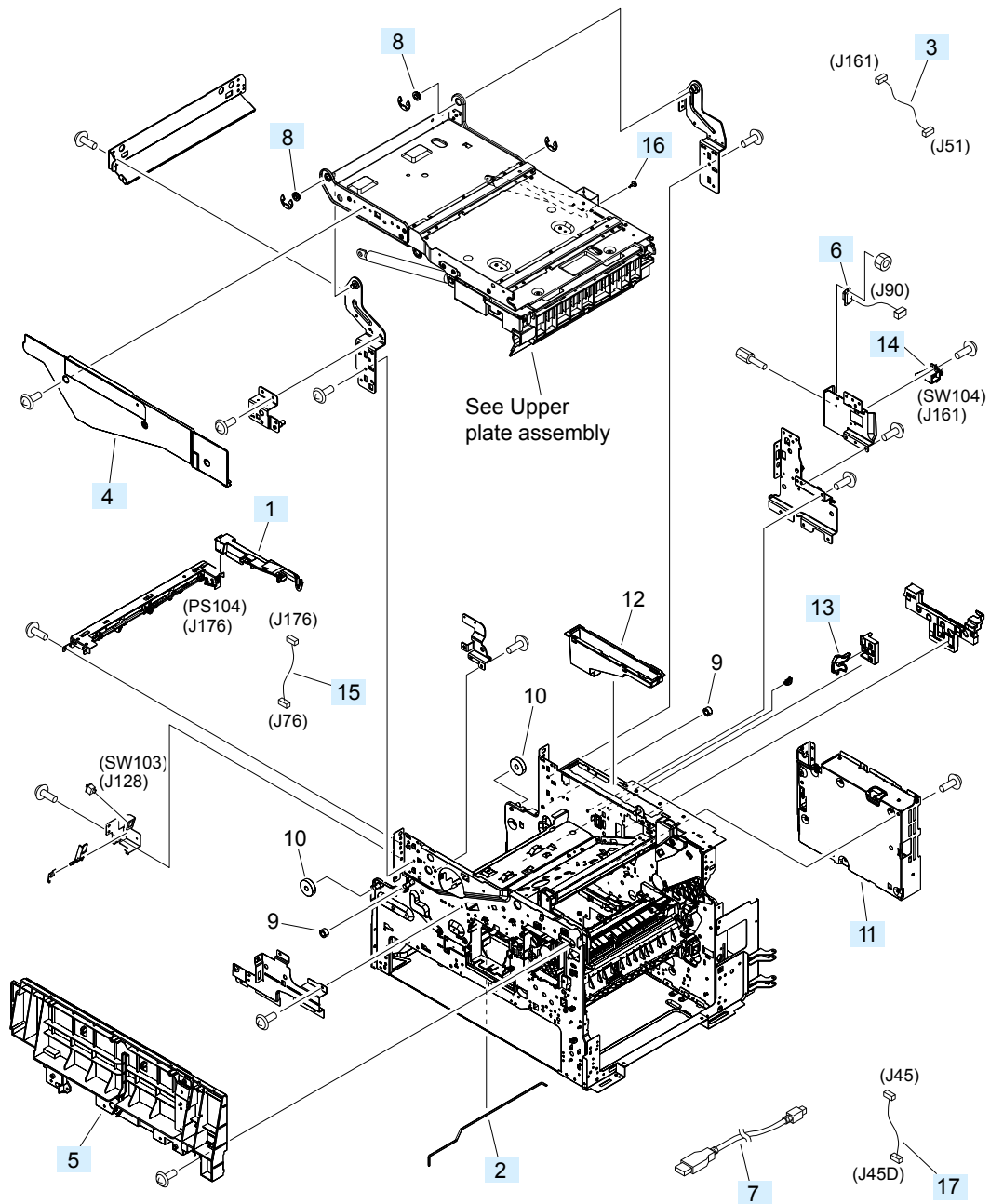


## Internal components (4 of 5)

Figure 4-11 Internal components (4 of 5)



**Table 4-11 Internal components<sup>1</sup> (4 of 5)**

<b>Ref</b>	<b>Description</b>	<b>Part number</b>	<b>Qty</b>
1	Cover, reverse side rear	RC1-2852-000CN	1
2	Rod, switch front	RC1-2980-000CN	1
3	Cable, paper delivery sensor	RM1-7168-000CN	1
4	Cover, IS front	RL1-2832-000CN	1
5	Cover, back panel assembly	RM1-7415-000CN	1
6	Cable, paper delivery	RM1-7167-000CN	1
7	Cable, USB	RK2-3241-000CN	1
8	Bushing	RC1-2922-000CN	2
11	Low-voltage power supply 110V	RM1-7401-000CN	1
11	Low-voltage power supply 220V	RM1-7413-000CN	1
13	Link switch	RC1-3003-000CN	1
14	Sensor unit MBM	RM1-7374-000CN	1
15	Cable, full detect	RM1-7158-000CN	1
16	Stopper, bushing arm	RC1-3090-000CN	1
17	Cable, scanner power supply	RM1-7161-000CN	1

<sup>1</sup> To order available fasteners for this component, see [Fasteners used in this product on page 656](#).