

PCAs (product base)

Figure 4-22 PCAs (product base)

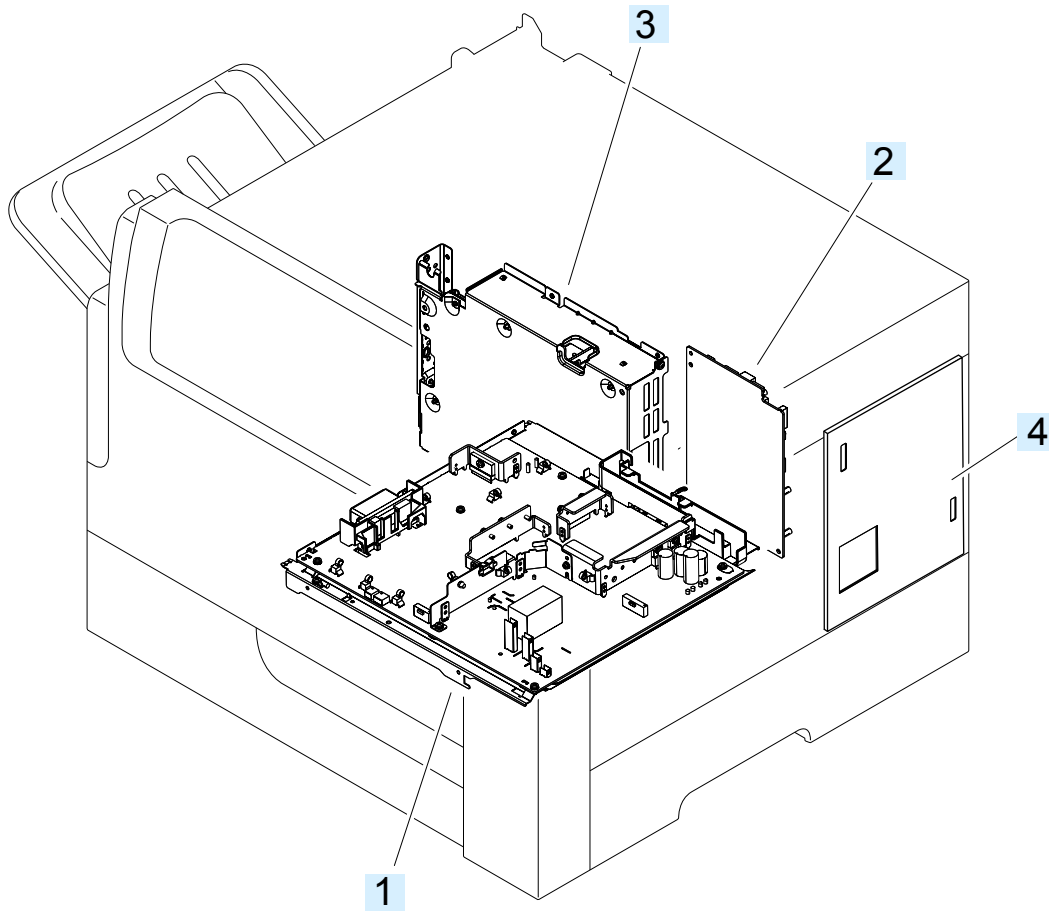


Table 4-22 PCAs (product base)

Ref	Description	Part number	Qty
1	Power supply, high-voltage 110V	RM1-7384-000CN	1
1	Power supply, high-voltage 220V	RM1-7386-000CN	1
2	DC controller PCA	RM1-7102-000CN	1
3	Power supply, low-voltage 110V	RM1-7401-000CN	1
3	Power supply, low-voltage 220V	RM1-7413-000CN	1
4	Formatter, IFA	CE502-60113	1
Not shown	Connector PCB assembly	RM1-7375-000CN	1