

Registration assembly

Figure 4-18 Registration assembly

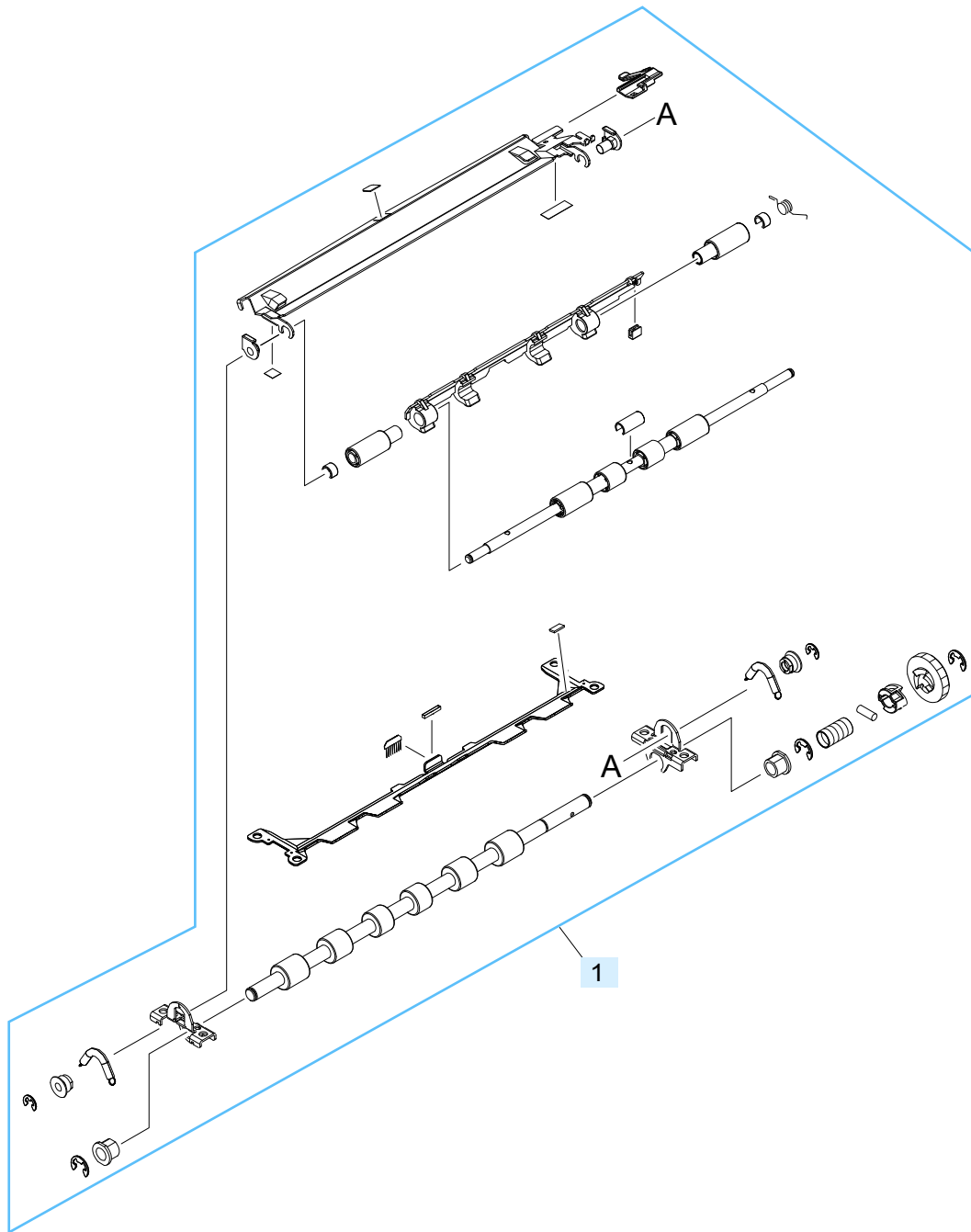


Table 4-18 Registration assembly

Ref	Description	Part number	Qty
1	Registration assembly	RM1-5460-010CN	1