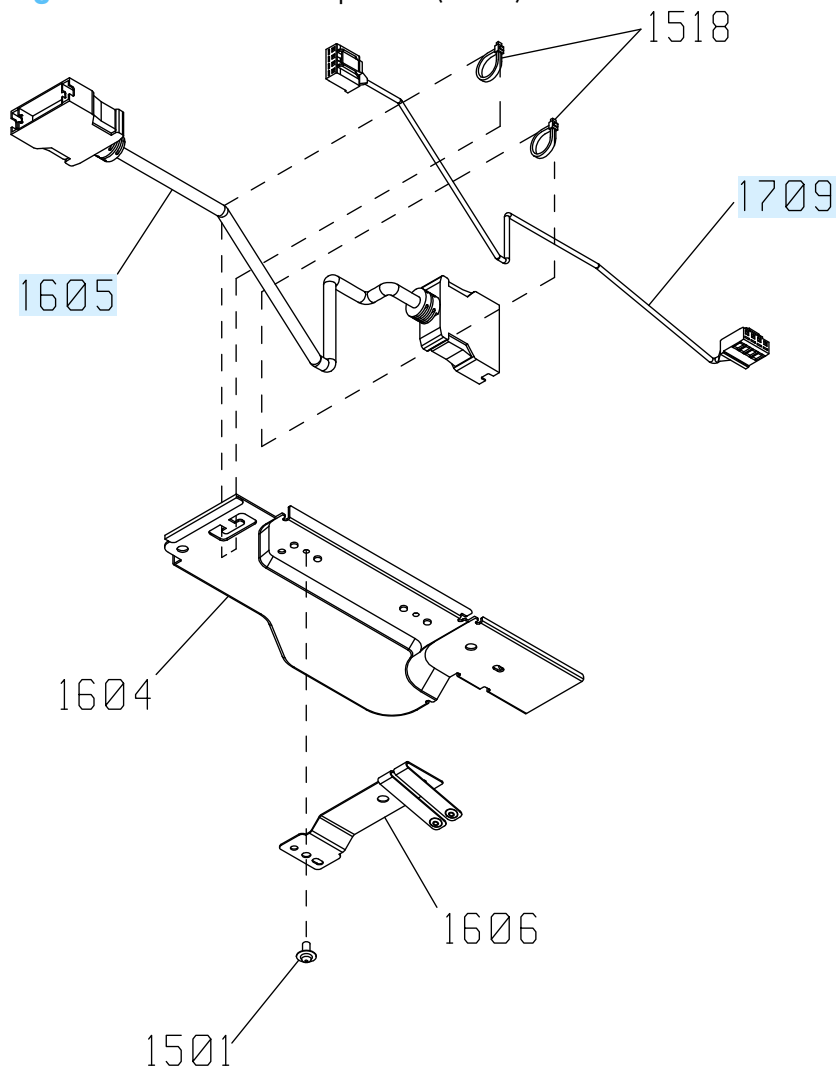


## Scanner components (2 of 8)

Figure 4-39 Scanner components (2 of 8)



**Table 4-39 Scanner components<sup>1</sup> (2 of 8)**

<b>Ref</b>	<b>Description</b>	<b>Part number</b>	<b>Qty</b>
1605	Cover, Asm ICB main left	IR4070K304NI	1
1601	Cover, left upper scanner	IR4070K301NI	1
1709	Cable, Asm power	IR4070K305NI	1

<sup>1</sup> To order available fasteners for this component, see [Fasteners used in this product on page 656](#).