

Scanner components (3 of 8)

Figure 4-40 Scanner components (3 of 8)

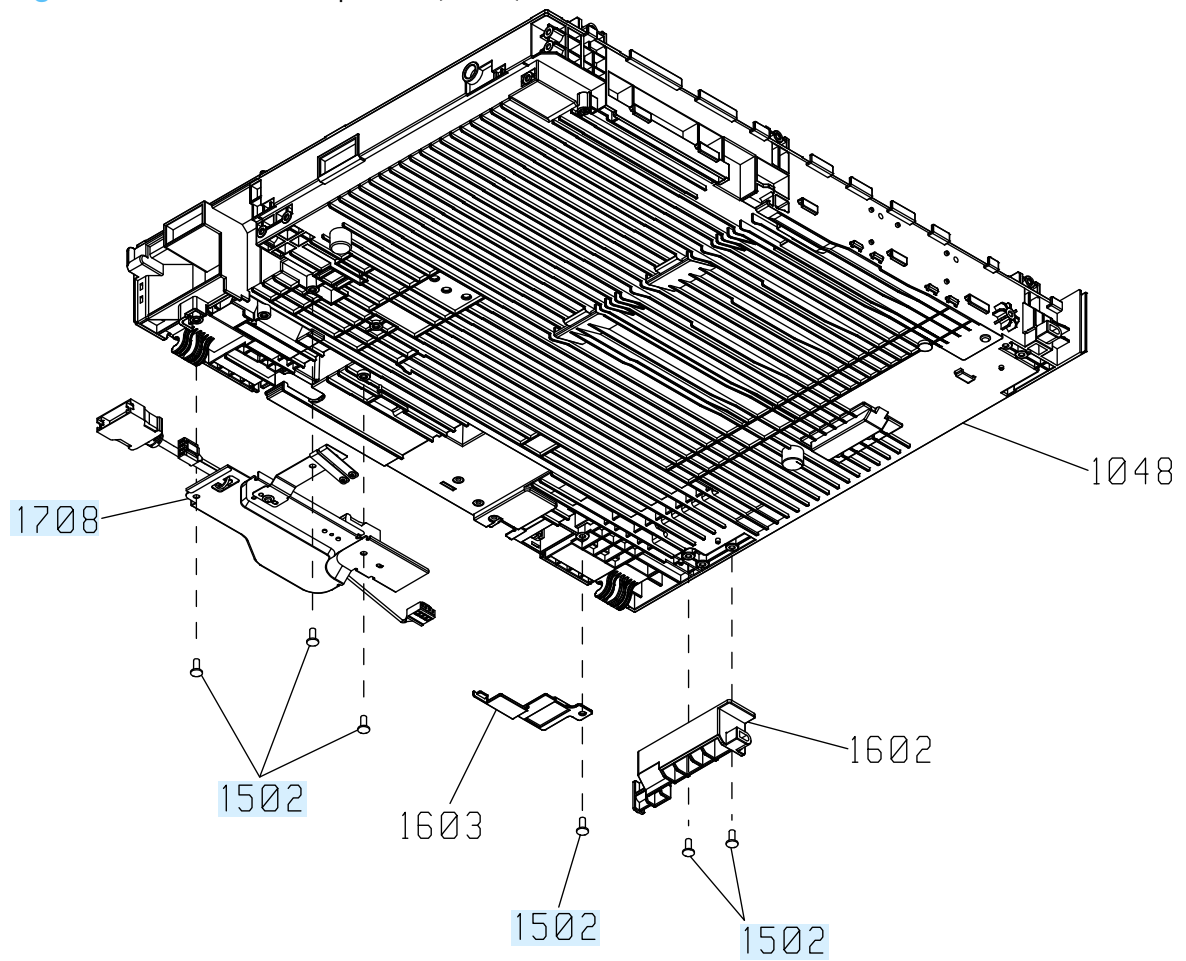


Table 4-40 Scanner components¹ (3 of 8)

| Ref | Description | Part number | Qty |
|------------|--|--------------------|------------|
| 1706 | Screw (ASY-040100FNBB) | IR4068K342NI | 16 |
| 1708 | Cover, sheet metal assembly with cable | IR4068K344NI | 1 |

¹ To order available fasteners for this component, see [Fasteners used in this product on page 656](#).