

Scanner components (4 of 8)

Figure 4-41 Scanner components (4 of 8)

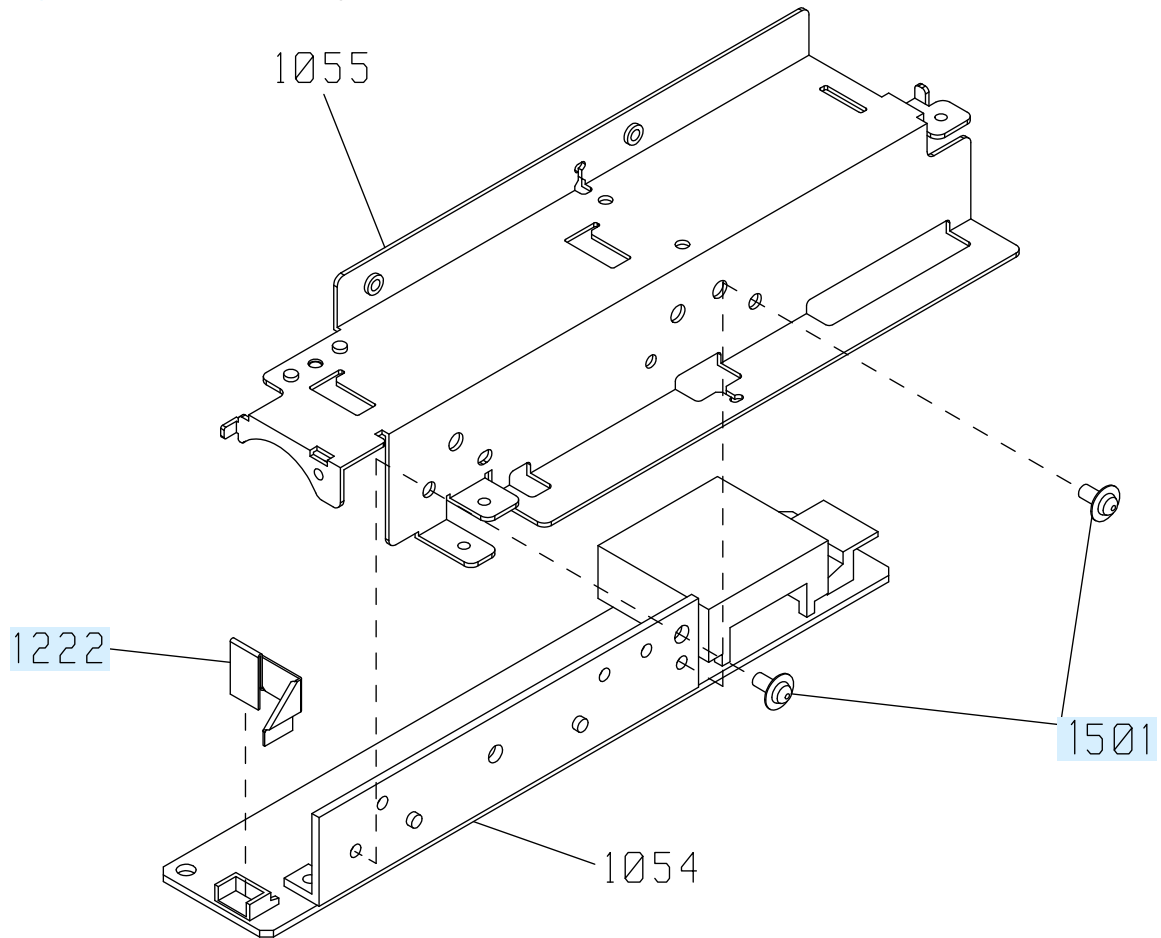


Table 4-41 Scanner assembly¹ (4 of 8)

Ref	Description	Part number	Qty
1222	Cable, FFC to SCB and IC board (S-K-CBP-INV-FFC)	IR4068K303NI	1
1501	Screw (ASY-030060FNIT)	IR4068K341NI	9

¹ To order available fasteners for this component, see [Fasteners used in this product on page 656](#).