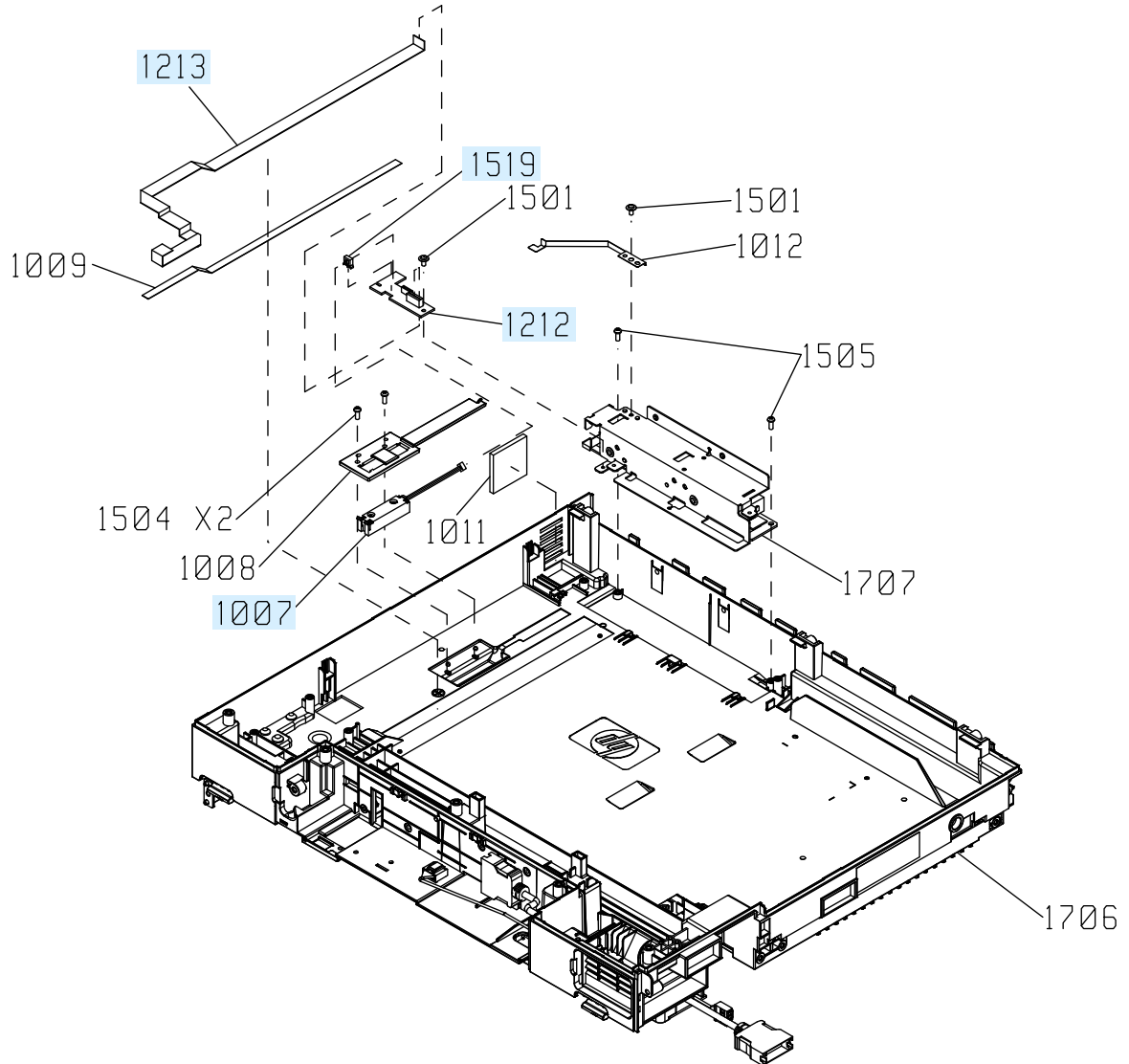


## Scanner components (5 of 8)

Figure 4-42 Scanner assembly (5 of 8)



**Table 4-42 Scanner assembly<sup>1</sup> (5 of 8)**

<b>Ref</b>	<b>Description</b>	<b>Part number</b>	<b>Qty</b>
1007	Size sensor (S-SNS-EY3A-1061-2)	IR4068K305NI	1
1212	Interconnection board (S-PBA-TYUKEI)	IR4068K307NI	1
1213	Cable, FFC to SCB and IC board (S-K-CBP-RELAY-FFC)	IR4068K308NI	1
1519	Wire saddle (RTMC-01T V0)	IR4070K308NI	1

<sup>1</sup> To order available fasteners for this component, see [Fasteners used in this product on page 656](#).