

Scanner components (6 of 8)

Figure 4-43 Scanner components (6 of 8)

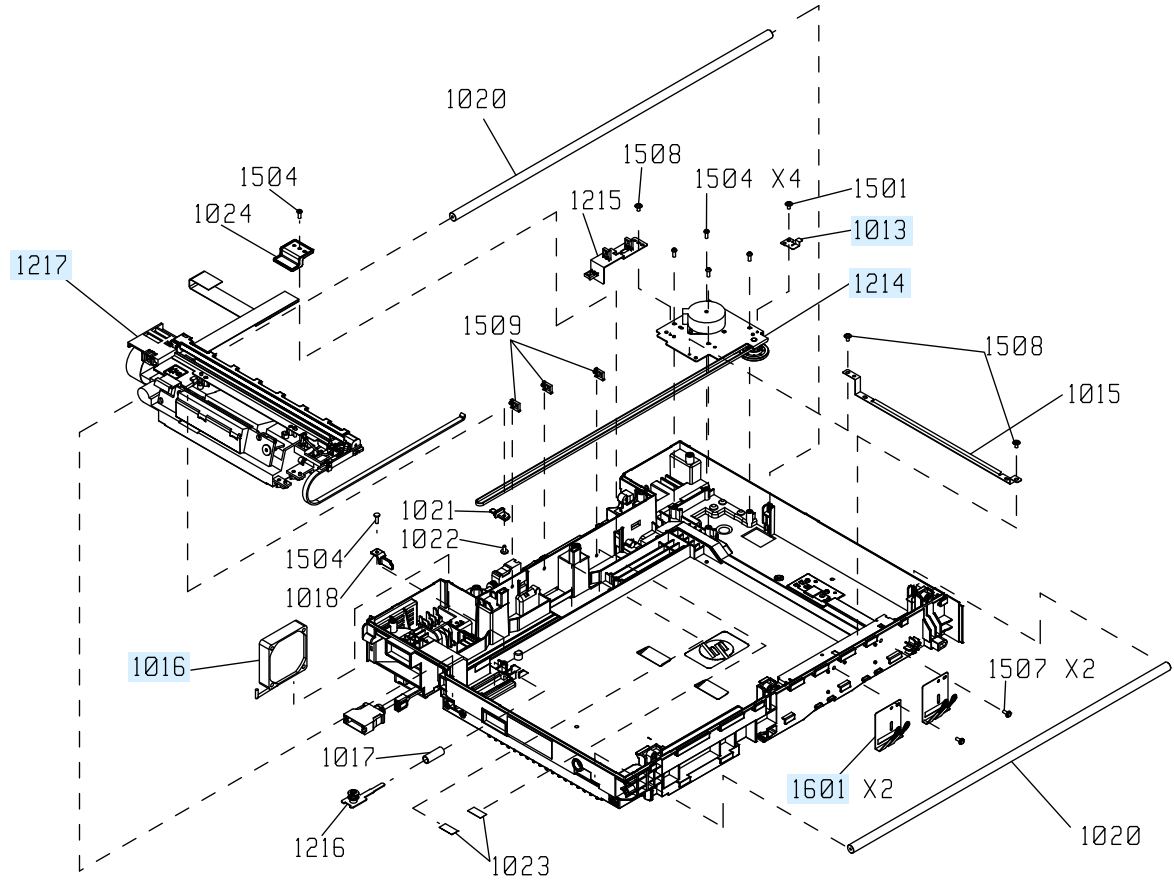


Table 4-43 Scanner components¹ (6 of 8)

Ref	Description	Part number	Qty
1214	Scanner motor assembly (S-ASSY-MOTOR-UNIT)	IR4068K309NI	1
1013	Grounding feature (S-SP-GND-SFT-R)	IR4068K310NI	1
1016	Scanner fan motor (S-FAN-D06037600G-01)	IR4068K311NI	1
1217	Carriage assembly (ASSY-CRG-UNIT-IR4068)	IR4068K200NI	1
1601	Grounding feature (Sp-Gnd-F)	IR4070K309NI	2

¹ To order available fasteners for this component, see [Fasteners used in this product on page 656](#).