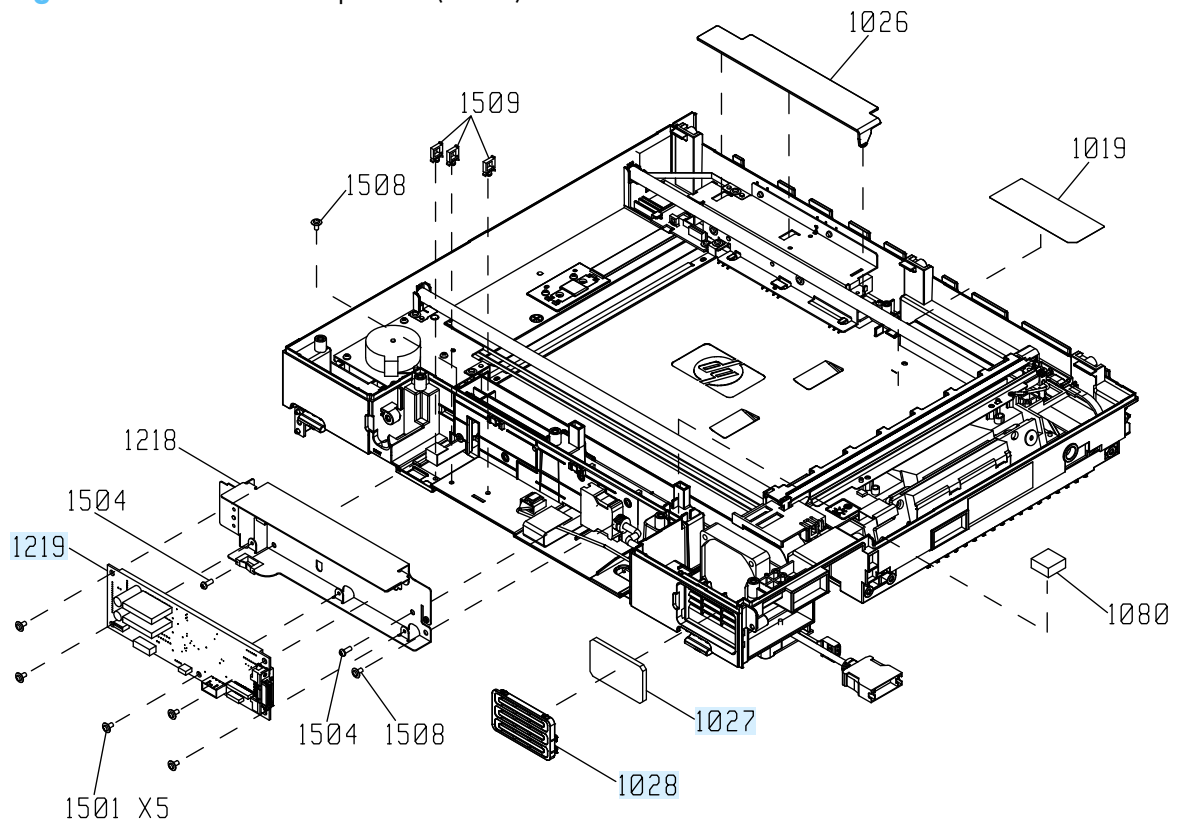


## Scanner components (7 of 8)

Figure 4-44 Scanner components (7 of 8)



**Table 4-44 Scanner components<sup>1</sup> (7 of 8)**

<b>Ref</b>	<b>Description</b>	<b>Part number</b>	<b>Qty</b>
1219	Scanner control board (SCB) (S-PBA-SCB)	IR4068K312NI	1
1027	Fan filter (S-FLTR-IN)	IR4068K313NI	1
1028	Cover, fan filter (S-CVR-FAN)	IR4068K314NI	1

<sup>1</sup> To order available fasteners for this component, see [Fasteners used in this product on page 656](#).